



5 Belt cleaners

series D



5.3.4 - Belt cleaners series D patented for single directional belts

Awareness of improved savings by utilizing belt cleaning systems has resulted in requests for simplified equipment but with ever increasing efficiency.

The conception of this proposed cleaner is certainly revolutionary.

Characteristics and indications of use

The cleaner type D is characteristic of a new technology.

It consists of a carbon steel blade, welded to a curved support. The assembly constitutes a unique scraper blade, inserted into a strong structural arc mounted on special bearings.

Although there is vertical adjusting, the system is under spring pressure which acts to rotate the curved structure as a whole. The pressure of the blade is therefore stronger at the centre. The pressure is however controlled by a regulating screw.

The cleaning effect is therefore correspondingly higher in the central part, where there is normally the most residue of material to remove, and becomes less as it decreases towards the edge.

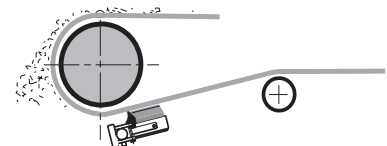
In this way the scraper is acting at its most efficient where the areas of high wear are normally encountered on the blade and the belt.

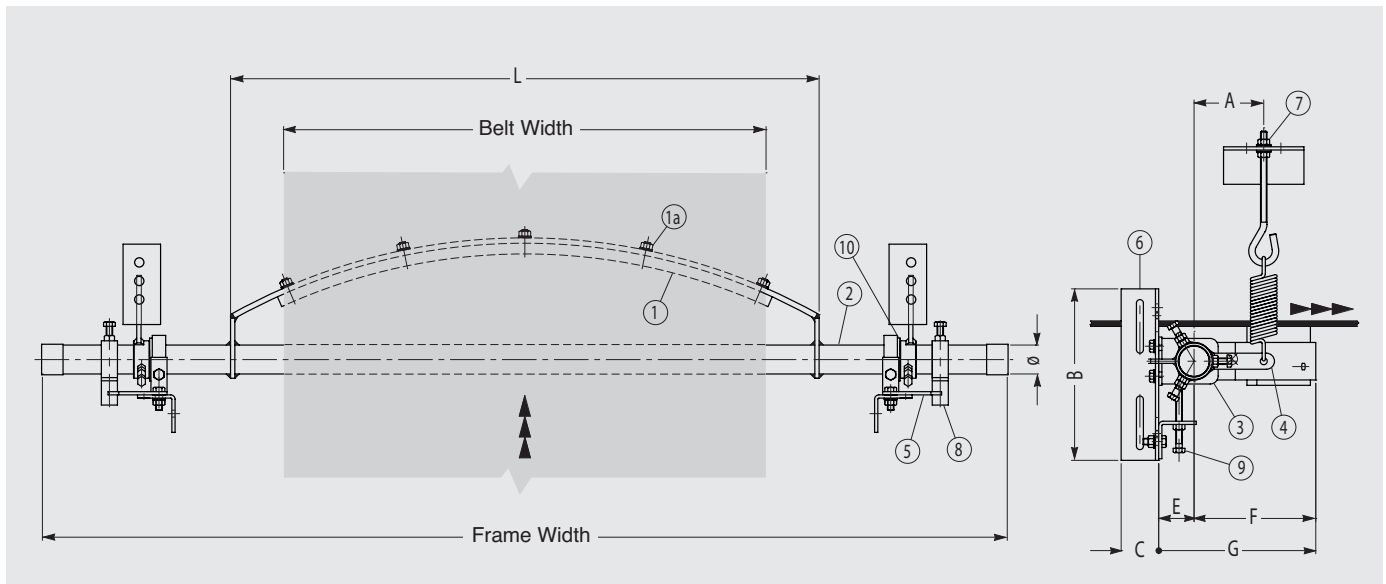
Thanks to the scraper and unique blade being formed into an arc the material that is removed has no tendency to build up or to block the cleaning action itself.

The scraper blade is the only replaceable component that will exhibit wear in time. It is easily and rapidly replaced without further disassembly of the scraper in situ.

This type of universal belt cleaner is particularly recommended to be used on high speed single directional conveyor belts, when the conveyed material is very wet and sticky.

Even greater belt cleaning performance may be obtained by using this cleaner linked with cleaner series H.





- 1 - Blade
- 1a - Blade fixing screws
- 2 - Frame
- 3 - Clamp
- 4 - Spring tensioning system
- 5 - Rotation stopper plate
- 6 - Bracket
- 7 - Pressure adjustment
- 8 - Rotation stopper
- 9 - Height adjustment screw
- 10 - Rotation bush

Belt cleaner type	Belt width mm	Frame width mm	L	A	B	C	Ø	E	F	G	Peso Kg
D	400	1000	490	130	320	70	54	66	141	207	20
	450	1100	540	130	320	70	54	66	146	212	25
	500	1200	590	130	320	70	54	66	152	218	30
	600	1300	690	130	320	70	54	66	164	230	40
	650	1350	740	130	320	70	54	66	179	245	42
	750	1500	840	130	320	70	54	66	182	248	45
	800	1550	890	130	320	70	54	66	194	260	50
	900	1700	990	130	320	70	54	66	200	266	55
	1000	1800	1090	130	320	70	54	66	213	279	60
	1200	2100	1290	130	320	70	54	66	237	303	65
	1400	2300	1490	130	320	70	54	66	270	336	75
	1500	2400	1590	130	320	70	54	66	253	319	80
	1600	2500	1690	130	320	70	54	66	256	322	85
	1800	2700	1890	160	400	70	76	80	250	328	95
2000	3100	2090	160	400	70	76	80	250	328	105	
2200	3300	2290	160	400	70	76	80	250	328	115	

Example of ordering
Cleaner type D, 1400