

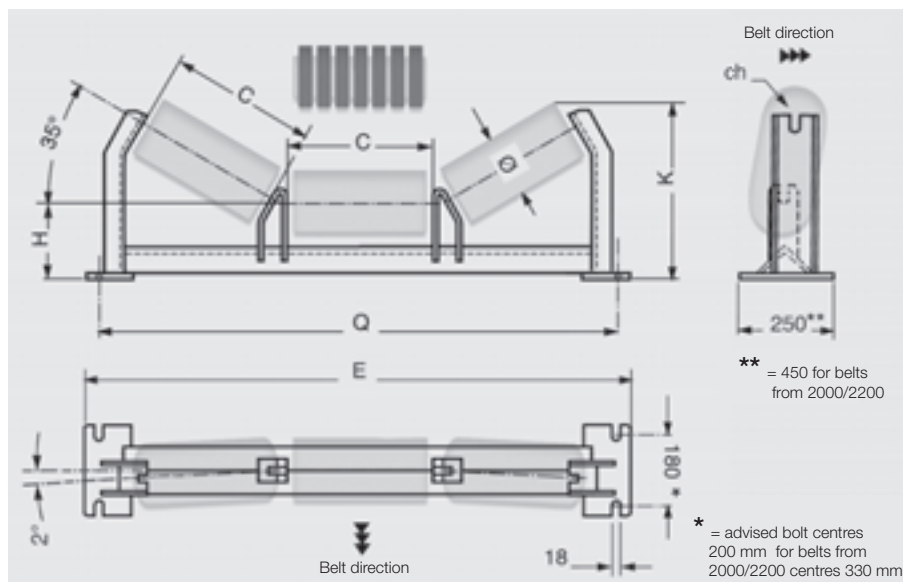


3 Troughing sets

transom

A3 S-35°

For upper troughing sets, extra heavy with three rollers, plain or with impact rings



for rollers series:

PSV/2, 3-FHD

Ø 133

spindle 25

bearing 6205, 6305

ch = 18

PSV/4, 5-FHD

Ø 159

spindle 30

bearing 6206, 6306

ch = 22

PSV/7-FHD

Ø 159, 194

spindle 40

bearing 6308

ch = 32



A3 S-35° Standard

Example of ordering

A3 S/77, 1400, F22, H205

for special designs
see page 200

transom
A3 S-35°

order codes	belt width mm	roller			transom					weight without rollers Kg		
		∅ mm	C	ch	capacity Kg	H mm	K _{max}	Q	E			
A3 S 1/80	800	133	323	18 - 22	289	155	407	1090	1150	14.1		
A3 S /70					460	163	415	1090	1150	16.2		
A3 S 1/82	1000		388		244	155	444	1290	1350	15.6		
A3 S 2/83					388	163	451	1290	1350	18.1		
A3 S 3/84					581	170	459	1290	1350	21.0		
A3 S 1/87	1200		473		204	155	493	1540	1600	17.5		
A3 S 2/88					325	163	500	1540	1600	20.4		
A3 S 3/89					487	170	508	1540	1600	24.0		
A3 S /74					634	178	516	1540	1600	25.9		
A3 S 1/8C	1400		538		431	170	546	1740	1800	26.2		
A3 S 2/8D					561	178	553	1740	1800	28.4		
A3 S /76					710	185	560	1740	1800	30.6		
A3 S 1/8G	1600		608		387	170	586	1940	2000	28.6		
A3 S 2/8H					503	178	593	1940	2000	31.0		
A3 S /78					637	185	600	1940	2000	33.5		
A3 S 1/8K	1800	678	446	178	633	2190	2250	43.2				
A3 S 2/8N			667	185	640	2190	2250	48.7				
A3 S 2/81	800	159	323	18 - 22	289	176	437	1090	1150	15.8		
A3 S /71					460	183	445	1090	1150	18.0		
A3 S 4/85	1000		388		388	183	475	1290	1350	19.7		
A3 S 5/86					581	190	490	1290	1350	22.6		
A3 S 4/8A					1200	473	325	183	532	1540	1600	21.7
A3 S 5/8B							487	190	539	1540	1600	25.5
A3 S /75	634	198	547	1540			1600	27.4				
A3 S 3/8E	1400	538	431	190	576	1740	1800	27.8				
A3 S 4/8F			561	198	583	1740	1800	30.0				
A3 S /77	1600	608	710	205	591	1740	1800	32.2				
A3 S 3/8I			387	190	616	1940	2000	30.1				
A3 S 4/8J			503	198	588	1940	2000	32.6				
A3 S /79			637	205	631	1940	2000	35.0				
A3 S 3/8P			1800	678	446	198	663	2190	2250	41.0		
A3 S 4/8Q	667	205			671	2190	2250	49.8				
A3 S 1/8T	2000	758	604	210	717	2420	2520	62.0				
A3 S 2/8U			909	225	732	2420	2520	70.0				
A3 S 1/8X	2200	808	558	210	746	2620	2720	66.1				
A3 S 2/8Y			840	225	761	2620	2720	74.6				
A3 S 5/8L	1600	194	608	32	503	265	672	1940	2000	40.7		
A3 S 6/8M					753	273	680	1940	2000	48.7		
A3 S 5/8R	1800		678		446	265	712	2190	2250	43.5		
A3 S 6/8S					667	273	720	2190	2250	53.0		
A3 S 3/8V	2000		758		604	277	803	2420	2520	64.6		
A3 S 4/8W					909	290	816	2420	2520	72.3		
A3 S 3/8Z	2200		808		558	277	832	2620	2720	68.3		
A3 S 4/90					840	290	845	2620	2720	76.7		

On request transoms may be supplied with different dimensions, characteristics and angles for belt widths up to 3,000 mm.