

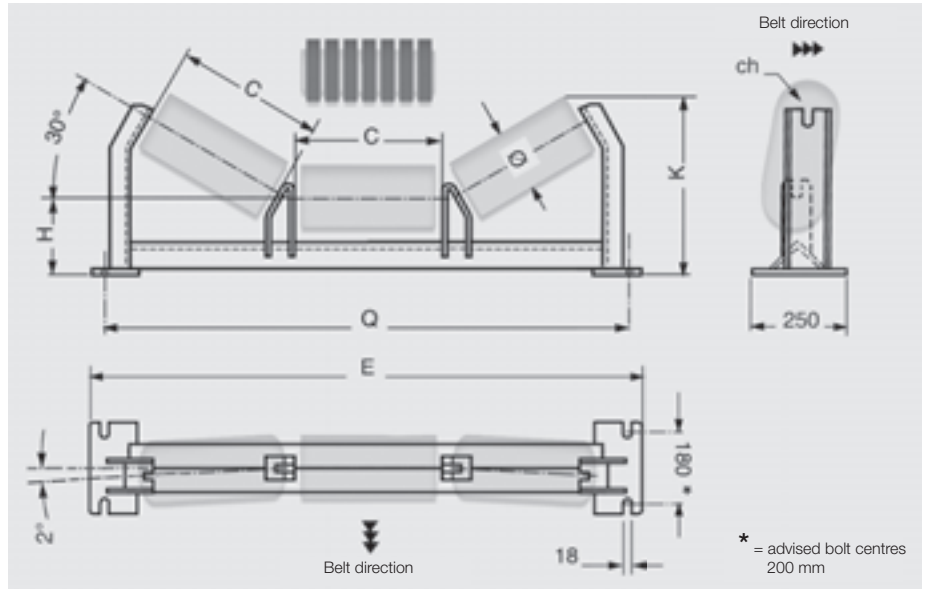


3 Troughing sets

transom

A3 P-30°

For heavy upper troughing sets with three rollers, plain or with impact rings



for rollers series:

PSV/1-FHD

ø 89, 108, 133
spindle 20
bearing 6204
ch = 14

PSV/2, 3-FHD

ø 133, 159
spindle 25
bearing 6205, 6305
ch = 18

PSV/4, 5-FHD

ø 133, 159
spindle 30
bearing 6206, 6306
ch = 22



A3 P-30° Standard

Example of ordering
A3P/54,1200, 4, F18, H168

for special designs
see page 200

transom
A3 P-30°

order codes	belt width mm	roller			transom					weight without rollers Kg			
		∅ mm	C	ch	capacity Kg	H mm	K _{max}	Q	E				
A3 P 1/5A	800	89 - 108	323	14	289	133	347	1090	1150	11.5			
A3 P 2/5B					460	140	355	1090	1150	13.6			
A3 P 1/5E	1000				244	133	380	1290	1350	12.7			
A3 P 2/5F					388	140	387	1290	1350	15.3			
A3 P 1/5K	1200				204	133	422	1540	1600	14.4			
A3 P 2/5L					325	140	429	1540	1600	17.3			
A3 P 3/5C	800	133	323	14 - 18 - 22	289	153	380	1090	1150	12.9			
A3 P /50					460	160	388	1090	1150	15.0			
A3 P 3/5G	1000				244	153	413	1290	1350	15.5			
A3 P 4/5H					388	160	420	1290	1350	18.1			
A3 P /52	1200				581	168	428	1290	1350	21.0			
A3 P 3/5M					204	153	455	1540	1600	17.3			
A3 P 4/5N					325	160	462	1540	1600	20.3			
A3 P /54					487	168	470	1540	1600	23.7			
A3 P 1/5R	1400				538	538	18 - 22	288	160	496	1740	1800	22.1
A3 P 2/5S								431	168	503	1740	1800	26.1
A3 P /56								561	176	511	1740	1800	28.3
A3 P 1/5V	1600				608	608	18 - 22	387	168	538	1940	2000	28.3
A3 P /58		503	176	546				1940	2000	30.7			
A3 P 4/5D	800	159	323	18 - 22	284	173	413	1090	1150	13.8			
A3 P /51					460	180	420	1090	1150	15.9			
A3 P 5/5I	1000				244	173	445	1290	1350	16.6			
A3 P 6/5J					388	180	452	1290	1350	19.1			
A3 P /53	1200				581	188	460	1290	1350	22.0			
A3 P 5/5P					204	173	475	1540	1600	18.3			
A3 P 6/5Q					325	180	482	1540	1600	21.3			
A3 P /55					487	188	490	1540	1600	24.8			
A3 P 3/5T	1400				538	538	18 - 22	288	180	518	1740	1800	23.2
A3 P 4/5U								431	188	525	1740	1800	27.1
A3 P /57								561	196	533	1740	1800	29.3
A3 P 2/5W	1600				608	608	18 - 22	387	188	580	1940	2000	29.4
A3 P /59								503	196	588	1940	2000	31.8
A3 P 1/5X	1800				678	678	18 - 22	446	196	615	2190	2250	34.9
A3 P 2/5Y								667	203	623	2190	2250	43.9

On request transoms may be supplied with different dimensions, characteristics and angles.