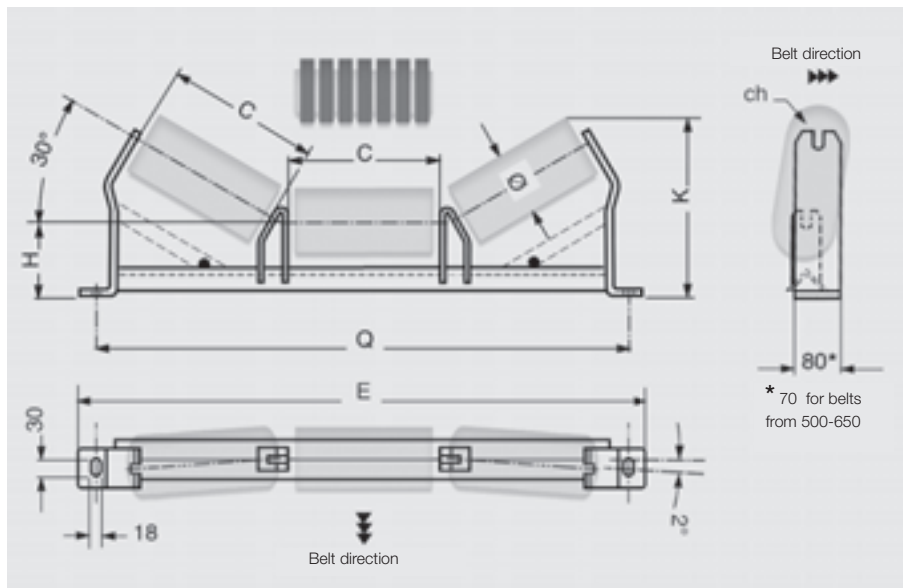




3 Troughing sets

transom A3 M-30°

For medium upper troughing sets with three rollers, plain or with impact rings



- Reinforcing only for frames with order code: A3 M /24 - A3 M /28 - A3 M /32
A3 M /26 - A3 M /30 - A3 M /34
for belt widths: 800 - 1000 - 1200

for rollers series:

PSV/1-FHD

ø 89, 108
spindle 20
bearing 6204
ch = 14

PL

ø 90, 110, 140

PLF

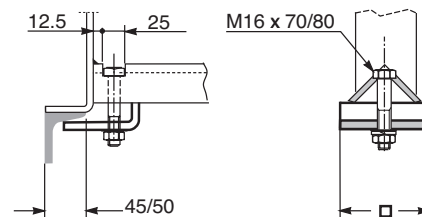
ø 89, 108, 133
spindle 20
bearing 6204
ch = 30, 14



A3 M-30° Standard

A3 MT-30° Special design with bracket

for fixing onto the transom without drilling a hole in the frame



□ Bracket width available 90-100-110

Example of ordering
A3M/28, 1000, F14, H140, Z

for special designs
see pages pag. 200

transom
A3 M-30°

order codes	belt width mm	roller			transom					weight without rollers Kg
		∅ mm	C	ch	capacity Kg	H mm	K _{max}	Q	E	
A3 M 1/3A	500	89 - 90 - 108 - 110	208	14 - 30	247	135	292	740	800	6.0
A3 M 1/3E	650		258		205	135	317	890	950	6.7
A3 M /22					354	135	317	890	950	8.1
A3 M 1/3K	800		323		289	140	354	1090	1150	10.7
A3 M /24					460	140	354	1090	1150	13.3
A3 M 1/3P	1000		388		244	140	387	1290	1350	12.2
A3 M /28					388	140	387	1290	1350	15.1
A3 M 1/3J	1200		473		204	140	429	1540	1600	14.0
A3 M /32					325	140	429	1540	1600	17.4
A3 M 2/3C	500	133 - 140	208	14 - 30	247	155	325	740	800	6.5
A3 M 2/3G	650		258		205	155	350	890	950	7.2
A3 M 3/3I					354	155	350	890	950	8.6
A3 M 2/3M	800		323		289	160	387	1090	1150	11.4
A3 M /26					460	160	387	1090	1150	13.9
A3 M 2/3R	1000		388		244	160	420	1290	1350	12.7
A3 M /30					388	160	420	1290	1350	15.9
A3 M 2/3V	1200		473		204	160	462	1540	1600	14.5
A3 M /34					325	160	462	1540	1600	18.1

On request transoms may be supplied with different dimensions, characteristics and angles.