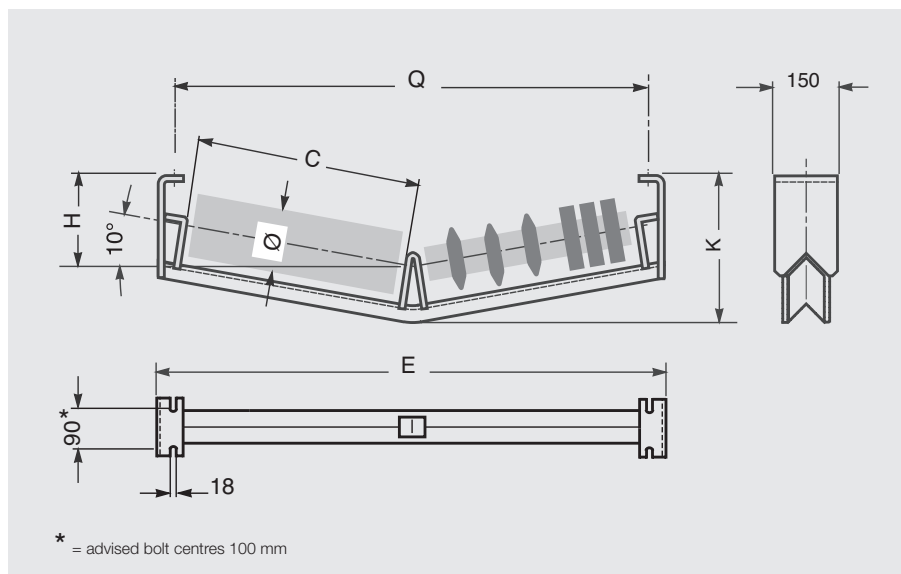




3 Troughing sets

transom R2 S

For return sets "V", with two rollers, plain or with rings



* = advised bolt centres 100 mm

for rollers series:

PSV/1-FHD

∅ 89, 108, 133
spindle 20
bearing 6204
ch = 14

PSV/2-FHD

∅ 133, 159, 180
spindle 25
bearing 6205
ch = 18

PSV/4-FHD

∅ 159, 180
spindle 30
bearing 6206
ch = 22

PSV/7-FHD

∅ 133, 159, 180, 194
spindle 40
bearing 6206
ch = 32

order codes	belt		roller		transom					weight without rollers Kg
	width mm	∅ mm	C	ch	capacity Kg	H mm	K max	Q	E	
R2 S /81	650	89 - 108 - 133 - 159 - 180	388	14 - 18 - 22 - 32	354	220	365	890	950	12.9
R2 S /82	800		473		289	238	384	1090	1150	14.4
R2 S /83	1000		608		388	256	408	1290	1350	18.1
R2 S /84	1200		708		325	279	430	1540	1600	20.1
R2 S 1/8A	1400		808		431	297	454	1740	1800	26.0
R2 S /85			908		561	297	462	1740	1800	28.3
R2 S 1/8B	1600		1008		387	314	474	1940	2000	28.1
R2 S /86					503	314	482	1940	2000	30.7
R2 S 1/8C	1800				342	338	503	2190	2250	30.0
R2 S 2/8D					446	338	511	2190	2250	32.8
R2 S 1/8E	2000		604	358	533	2420	2500	45.3		
R2 S 1/8F	2200		560	375	560	2620	2700	50.4		

On request transoms may be supplied with different dimensions, characteristics and angles for belt widths up to 3,000 mm.

Example of ordering
R2S/85, 1400, F14, J

for special designs
see page 200