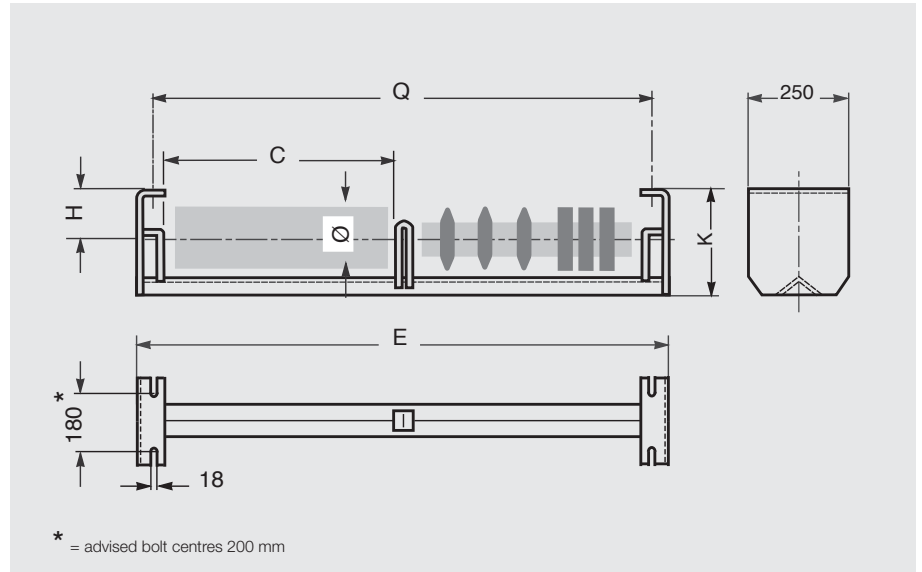


transom R2 SP

For flat return sets with two rollers, plain or with rings



for rollers series:

PSV/4-FHD
spindle 30

bearing 6206
ch = 22

PSV/7-FHD

Ø 133, 159, 194
spindle 40
bearing 6308
ch = 32

belt width mm	roller		ch	transom				weight without rollers Kg	
	Ø mm	C		capacity Kg	H mm	K _{max}	Q		E
1800		1008	22 - 32	446	175	372	2190	2250	54.5
2000		1108		604	175	380	2420	2500	68.0
2200		1258		840	175	395	2620	2700	76.5

On request transoms may be supplied with different dimensions, characteristics and angles for belt widths up to 3,000 mm.

Example of ordering
R2SP, 2000, F22, YC

for special designs
see page 200