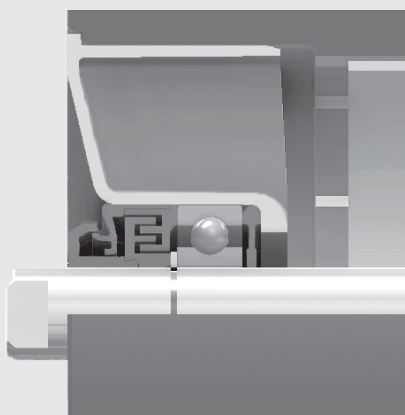


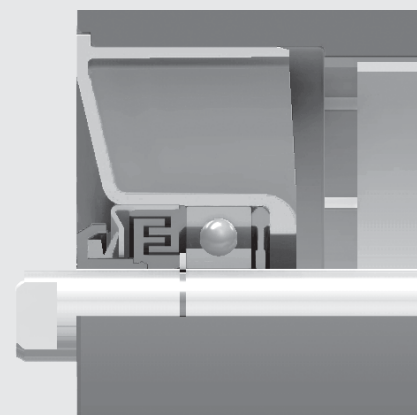


2 Rollers

series
TOP C/2
TOP V/2



TOP C/2 Section through sealing




TOP V/2 Section through sealing

Ø 133PE
Ø 133NPE*

Bearing 6205
 (25x52x15)

d = 25
 ch = 18
 s = 11
 e = 4
 g = 12

| belt | roller | | | | | | load capacity | | | | | | |
|---|----------|------|-------|----------------|-------|----------------|---------------|-----|-----|-----|-----|--|--|
| | width mm | | | dimensions mm | | | weight Kg | | daN | | | | |
| arrangements  | B | C | A | rotating parts | | belt speed m/s | | | | | | | |
| | | | | parts | total | 1 | 1.5 | 2 | 2.5 | 3 | 4 | | |
| 400 | 160 | 168 | 192 | 1,15 | 1,98 | 309 | 309 | 289 | 268 | 252 | 229 | | |
| 300 500 | 200 | 208 | 232 | 1,31 | 2,30 | 309 | 309 | 289 | 268 | 252 | 229 | | |
| 400 650 | 250 | 258 | 282 | 1,51 | 2,69 | 309 | 309 | 289 | 268 | 252 | 229 | | |
| 500 800 | 315 | 323 | 347 | 1,77 | 3,20 | 309 | 309 | 288 | 268 | 252 | 229 | | |
| 300 650 1000 | 380 | 388 | 412 | 2,04 | 3,71 | 309 | 309 | 288 | 267 | 251 | 228 | | |
| 800 1200 | 465 | 473 | 497 | 2,38 | 4,39 | 309 | 309 | 288 | 267 | 251 | 228 | | |
| 400 | 500 | 508 | 532 | 2,52 | 4,66 | 295 | 295 | 288 | 267 | 251 | 228 | | |
| 1400 | 530 | 538 | 562 | 2,64 | 4,90 | 276 | 276 | 276 | 267 | 251 | 228 | | |
| 500 1000 | 600 | 608 | 632 | 2,92 | 5,45 | 239 | 239 | 239 | 239 | 239 | 227 | | |
| 1200 | 700 | 708 | 732* | 6,36 | 9,28 | 197 | 197 | 197 | 197 | 197 | 197 | | |
| 650 | 750 | 758 | 782* | 6,83 | 9,94 | 182 | 182 | 182 | 182 | 182 | 182 | | |
| 1400 | 800 | 808 | 832* | 7,29 | 10,59 | 169 | 169 | 169 | 169 | 169 | 169 | | |
| 800 | 950 | 958 | 982* | 8,68 | 12,56 | 138 | 138 | 138 | 138 | 138 | 138 | | |
| 1000 | 1150 | 1158 | 1182* | 10,53 | 15,19 | 109 | 109 | 109 | 109 | 109 | 109 | | |
| 1200 | 1400 | 1408 | 1432* | 12,85 | 18,47 | 85 | 85 | 85 | 85 | 85 | 85 | | |
| 1400 | 1600 | 1608 | 1632* | 14,70 | 21,10 | 70 | 70 | 70 | 70 | 70 | 70 | | |

* TOP rollers lengths with reinforcing internal steel tube

Example of ordering
 TOP/C2 25F 133PE 323
 Contactless execution,
 HDPE shell
 TOP/V2 25F 133PE 473
 Hermetic execution, HDPE
 shell

TOP/C2 25F 133NPE 708
 Contactless execution,
 reinforced shell HDPE+steel
 TOP/V2 25F 133NPE 708
 Hermetic execution,
 reinforced shell HDPE+steel

For special shaft executions
 see pages 80-82-83