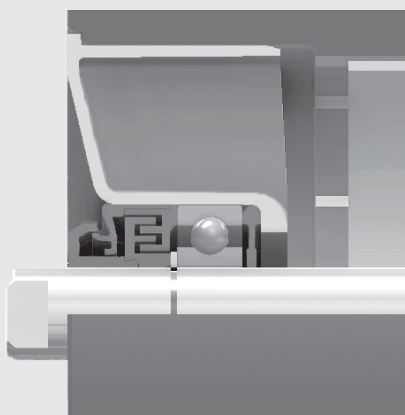


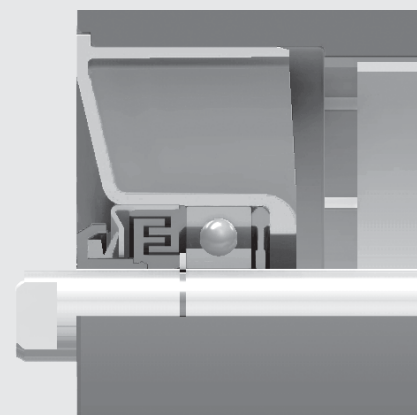


2 Rollers

series
TOP C/2
TOP V/2



TOP C/2 Section through sealing




TOP V/2 Section through sealing

Ø 102PE
Ø 102NPE*

Bearing 6205
 (25x52x15)

d = 25
 ch = 18
 s = 9,5
 e = 4
 g = 12

belt	roller						load capacity						
	width mm			dimensions mm			weight Kg		daN				
arrangements 	B	C	A	rotating parts		belt speed m/s							
				parts	total	1	1.5	2	2.5	3	3,5		
400	160	168	192	0,87	1,70	287	287	269	249	235	223		
300 500	200	208	232	0,97	1,96	287	287	268	249	234	223		
400 650	250	258	282	1,10	2,28	287	287	268	249	234	223		
500 800	315	323	347	1,28	2,70	287	287	268	249	234	222		
300 650 1000	380	388	412	1,45	3,13	287	287	268	249	234	222		
800 1200	465	473	497	1,67	3,68	250	250	250	249	234	222		
400	500	508	532	1,76	3,91	232	232	232	232	232	222		
1400	530	538	562	1,84	4,10	219	219	219	219	219	219		
500 1000	600	608	632	2,03	4,56	157	157	157	157	157	157		
1200	700	708	732*	3,98	6,90	200	200	200	200	200	200		
650	750	758	782*	4,26	7,37	184	184	184	184	184	184		
1400	800	808	832*	4,53	7,84	171	171	171	171	171	171		
800	950	958	982*	5,37	9,25	141	141	141	141	141	141		
1000	1150	1158	1182*	6,48	11,13	113	113	113	113	113	113		
1200	1400	1408	1432*	7,86	13,48	89	89	89	89	89	89		
1400	1600	1608	1632*	8,97	15,37	75	75	75	75	75	75		

* TOP rollers lengths with reinforcing internal steel tube

Example of ordering
 standard design
 TOP/C2 25F 102PE 323
 Contactless execution,
 HDPE shell
 TOP/V2 25F 102PE 473
 Hermetic execution, HDPE
 shell

TOP/C2 25F 102NPE 708
 Contactless execution,
 reinforced shell HDPE+steel
 TOP/V2 25F 102NPE 708
 Hermetic execution,
 reinforced shell HDPE+steel

For special shaft executions
 see pages 80-82-83