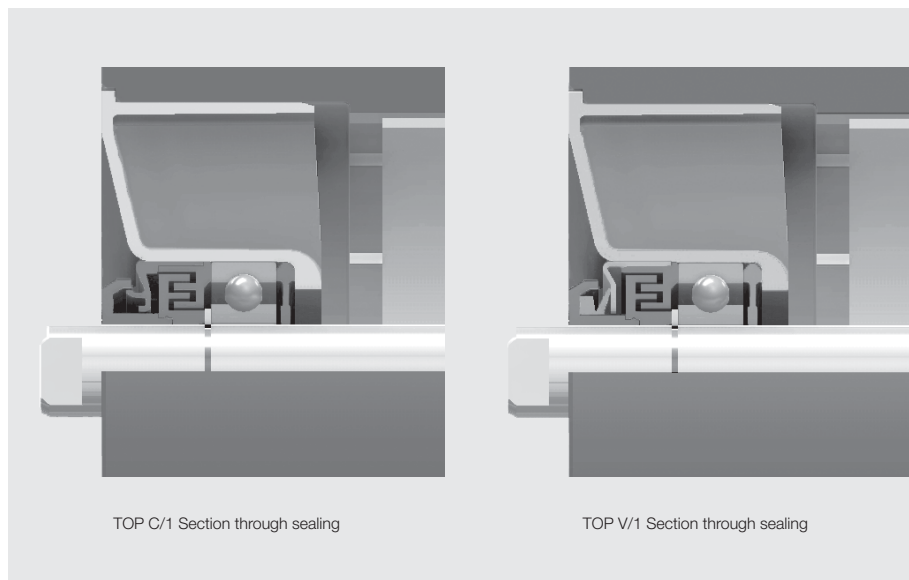




2 Rollers


series
TOP C/1
TOP V/1



Ø 108PE
Ø 108NPE*

Bearing 6204
 (20 X 47 X 14)

d = 20
 ch = 14
 s = 9,5
 e = 4
 g = 9

belt	roller												
	width mm			dimensions mm			weight Kg		load capacity daN				
arrangements 	B	C	A	rotating parts		belt speed m/s							
				parts	total	1	1.5	2	2.5	3	3,5		
	400	160	168	186	0,85	1,39	191	191	191	191	191	191	
	300	500	200	208	226	0,97	1,60	191	191	191	191	191	
	400	650	250	258	276	1,11	1,86	191	191	191	191	191	
	500	800	315	323	341	1,29	2,21	191	191	191	191	191	
300	650	1000	380	388	406	1,47	2,55	168	168	168	168	168	
	800	1200	465	473	491	1,71	3,00	132	132	132	132	132	
400		500	508	526	1,81	3,18	121	121	121	121	121	121	
	1400	530	538	556	1,89	3,34	113	113	113	113	113	113	
500	1000	600	608	626	2,09	3,71	98	98	98	98	98	98	
	1200	700	708	726*	4,06	5,93	80	80	80	80	80	80	
650		750	758	776*	4,34	6,34	73	73	73	73	73	73	
	1400	800	808	826*	4,63	6,75	68	68	68	68	68	68	
800		950	958	976*	5,49	7,98	55	55	55	55	55	55	
1000		1150	1158	1176*	6,63	9,61	42	42	42	42	42	42	
1200		1400	1408	1426*	8,06	11,66	32	32	32	32	32	32	
1400		1600	1608	1626*	9,20	13,30	25	25	25	25	25	25	

* TOP rollers lengths with reinforcing internal steel tube

Example of ordering
 TOP/C1 20F 108PE 323
 Contactless execution,
 HDPE shell
 TOP/V1 20F 108PE 473
 Hermetic execution, HDPE
 shell

TOP/C1 20F 108NPE 708
 Contactless execution,
 reinforced shell HDPE+steel
 TOP/V1 20F 108NPE 708
 Hermetic execution,
 reinforced shell HDPE+steel

For special shaft executions
 see pages 80-82-83