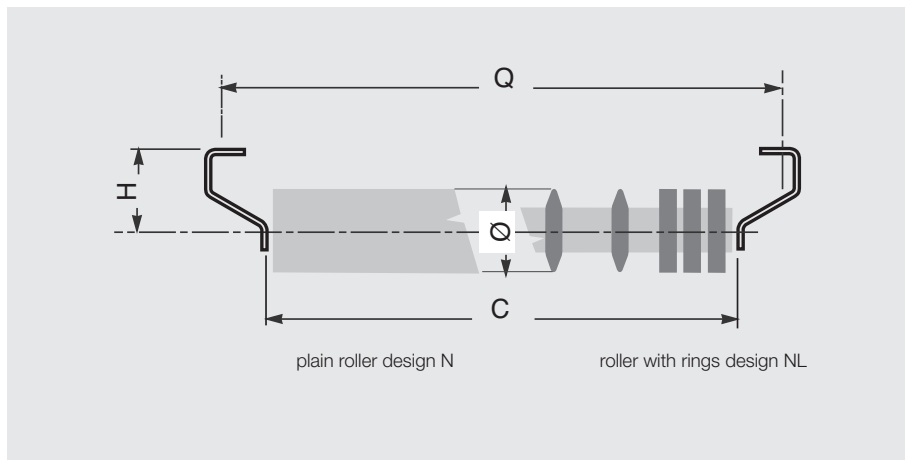




### 3 Troughing sets

## support bracket SPT 1495

For heavy return set flat roller, plain or with rings

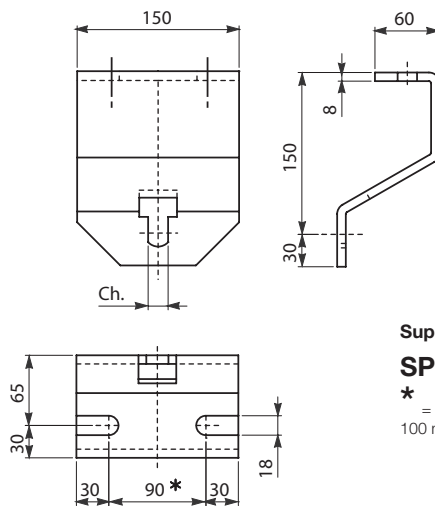


#### for rollers series:

**PSV/2-FHD**  
 ø 108,133,159  
 spindle 25  
 bearing 6205  
 ch = 18

**PSV/4-FHD**  
 ø 108,133,159  
 spindle 30  
 bearing 6206  
 ch = 22

**PSV/7-FHD**  
 ø 133,159,194  
 spindle 40  
 bearing 6308  
 ch = 32



**Support bracket  
SPT 1495**  
 \* = bolt centres advised  
 100 mm

belt width mm	roller		ch	H mm	Q	weight of two brackets without rollers Kg
	Ø mm	C				
500	108-133-159-180-194	608	18-22-32	150	740	4.6
650		758		150	890	4.6
800		958		150	1090	4.6
1000		1158		150	1290	4.6
1200		1408		150	1540	4.6
1400		1608		150	1740	4.6
1600		1808		150	1940	4.6
1800		2008		150	2140	4.6
2000		2208		150	2340	4.6

Example of ordering  
 support bracket SPT 1495, F18, YB