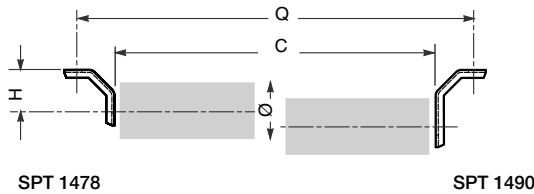
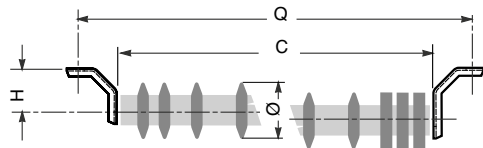


SUPPORT BRACKETS SPT 1478 - 1490

For light upper set flat roller, plain or with impact rings.



with plain roller
design N



with roller with
rings design NG -NL

SPT 1478 for rollers series

RTL
spindle 15
bearing 6202
ch = 17

PSV/1-FHD
spindle 20
bearing 6204
ch = 14

MPS
spindle 15
bearing 6202
ch = 17

Belt width mm	Roller			H		Q mm	Weight of two brackets without rollers	
	Ø	C	ch	SPT 1478	SPT 1490		SPT 1478	SPT 1490
	mm			mm			mm	
300	SPT 1478 : 60 ÷ 133 SPT 1490: 60 ÷ 180	388	SPT 1478: 14 - 17 SPT 1490: 14 - 18 - 22	70	100	520	0.7	1.5
400		508		70	100	640	0.7	1.5
500		608		70	100	740	0.7	1.5
650		758		70	100	890	0.7	1.5
800		958		70	100	1090	0.7	1.5
1000		1158		70	100	1290	0.7	1.5
1200		1408		70	100	1540	0.7	1.5
1400	1608	70	100	1740	0.7	1.5		

SPT 1490 for rollers series

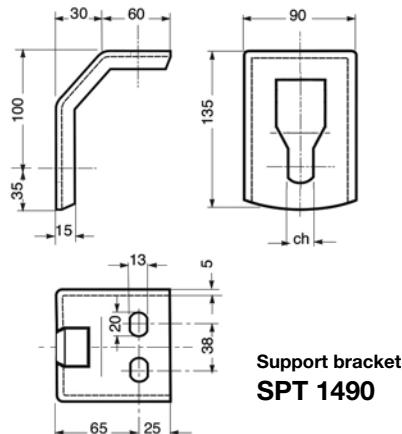
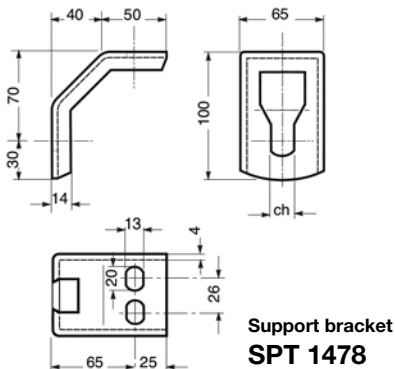
PSV/1-FHD
spindle 20
bearing 6204
ch = 14

PSV/4-FHD
spindle 30
bearing 6206
ch = 22

PSV/2-FHD
spindle 25
bearing 6205
ch = 18

PSV/5-FHD
spindle 30
bearing 6306
ch = 22

PSV/3-FHD
spindle 25
bearing 6305
ch = 18



Example of ordering:
support bracket SPT 1478, F14
See page 14.