

2.5.5 - Rollers series RTL

Where used

The roller series RTL has been designed to be used in the movement of small or light loads.

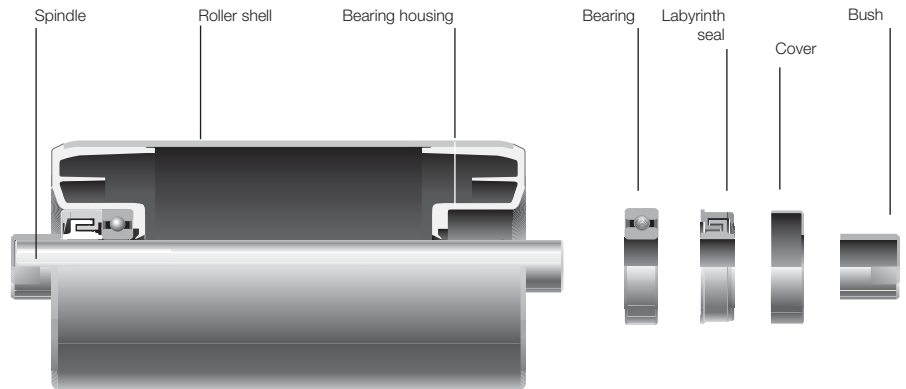
The roller consists of a special steel tube swaged over the bearing housings which are made from technopolymers which have high elastic properties, and resistance to mechanical forces and to corrosion.

The standard design utilises rigid radial precision ball bearings, lubricated for life, a spindle of $\varnothing 15$ mm with locking bush with spanner flats $ch = 17$ mm.

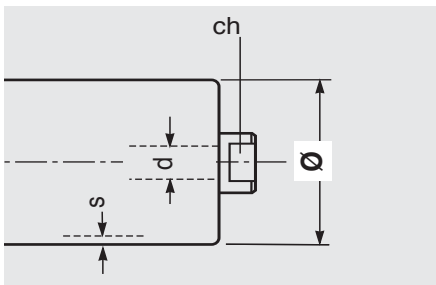
A double radial labyrinth protects the bearing to allow use in medium severe environmental conditions.

In the following tables the diameters in production are indicated with their loads at varying recommended speeds.

The working temperature is definite as between -10° and $+70^{\circ}\text{C}$



The table indicates the roller diameters in production. On request they may be supplied with different dimensions to the standard and with $ch = 14$ mm.



Programme of production series RTL

roller type	\varnothing basic mm	design	s	spindle d	ch	bearing	note
RTL 1	60	N	2	15	17	6202	with tube and spindle in steel S235JR (EN 10027-1) ex Fe360 (EN 10025) St37 (DIN 17100)
	76	N	2				
	89	N	2				