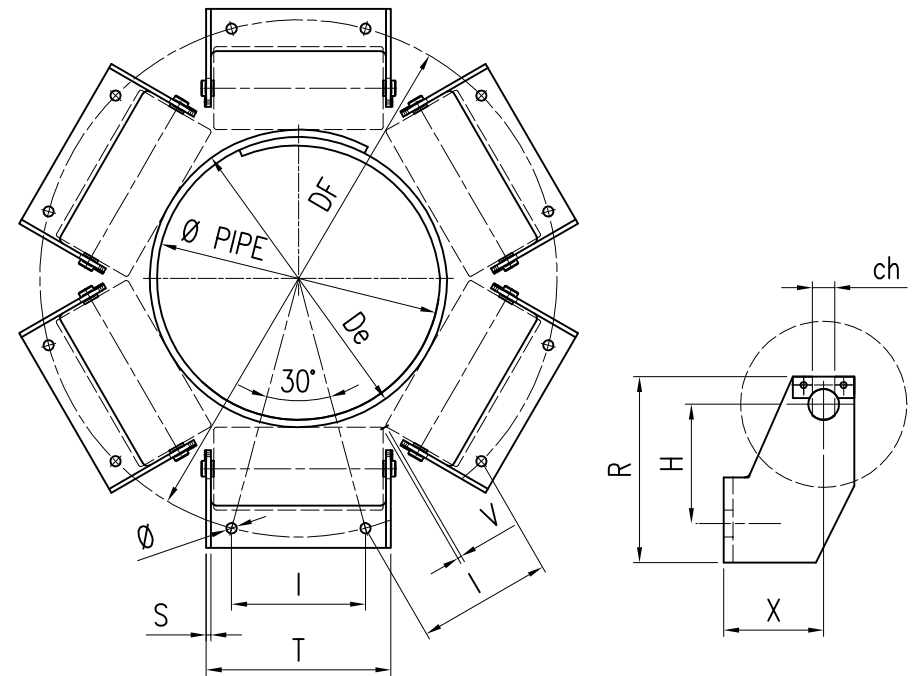
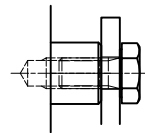


Fixing by screw on request



\emptyset PIPE	D x s	Roller type	bearing	d	ch	A	B	C	f
200	63 x 3	PSV/1	6204	20	14	145	122	125	6
250	89 x 3	PSV/1	6204	20	14	192	163	171	6
300	89 x 3	PSV/1	6204	20	14	213	174	193	6
350	89 x 3	PSV/1	6204	20	14	243	210	223	6
400	108 x 3.5	PSV/1	6204	20	14	274	240	253	6
500	108 x 3.5	PSV/2	6205	25	18	348	309	320	7.5
600	133 x 4	PSV/4	6206	30	22	404	366	375	7.5
700	159 x 4	PSV/5	6306	30	22	484	440	448	10.5
850	194 x 6.3	PSV/7	6308	40	30	565	510	530	10.5

\emptyset PIPE	S	H	X	R	T	I	\emptyset	DF	De	V
200	4.5	49	30	82	135.5	102	13.5	394	219.7	6.4
250	4.5	58	50	96	182	131.5	13.5	508	285.7	4
300	4.5	67	50	105	204	142	13.5	548.5	307	5
350	4.5	70	50	110.5	234	160	17.5	618	368	4.4
400	4.5	84	65	124.5	264	186.5	17.5	720.5	420	4.3
500	6	107	65	152	334	231	17.5	892.5	540	4.6
600	6	110	69	170	388.5	266.5	17.5	1030	641.6	6
700	9	100	80	158	468	304	17.5	1174.5	755.5	8.9
850	9	123	93	194	549.5	358	21.5	1383	896	8.5