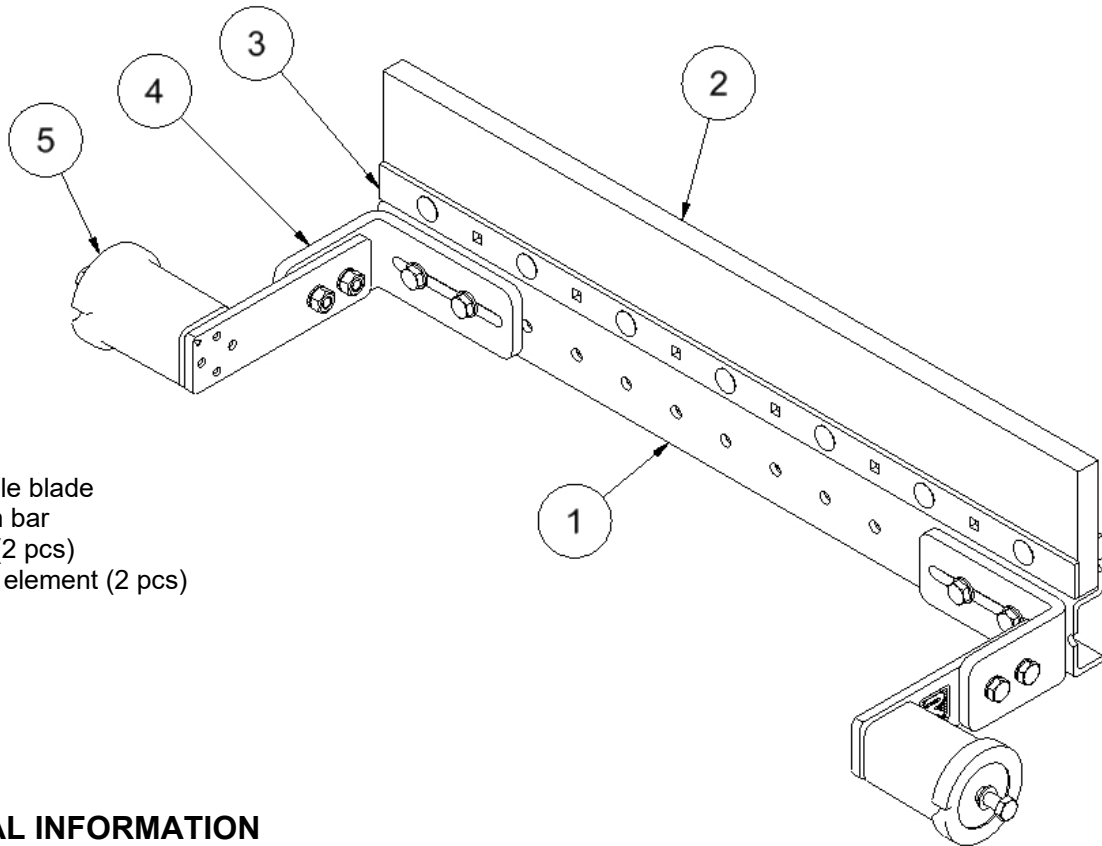


FITTING THE PU-92 SECONDARY SCRAPER



1. Beam
2. PU single blade
3. Flat iron bar
4. Holder (2 pcs)
5. Torsion element (2 pcs)

GENERAL INFORMATION

The PU 92 is a secondary scraper with a strip in PUR. The PU 92 is designed for medium industry with stringent cleaning requirements. The scraper has a simple design with a minimum of moving parts.

IMPORTANT

In order to achieve the best scraping results, the following conditions must be met:

- The conveyor belt must be free of damage.
- The conveyor belt must be flat. If the belt has a tendency to bulge, fit a return roller (sheet-metal roller) a few decimetres from the scraper.
- The scraper must not be fitted to reversible conveyors.
- The scraper must not be fitted to chevron belts or belts with mechanical joints.
- Max. belt speed: **3.5** m/s. Can be used at speeds up to 4.5 m/s with some modifications. Pls contact Rulmecca.
- Max. temperature: + 50°C in wet environments
- Max. temperature: + 85°C in dry environments (ambient temperature + frictional heat)

CAUTION

Always turn off the belt conveyor before installing or carrying out maintenance on the scraper. Make sure that the belt cannot start while this work is in progress.

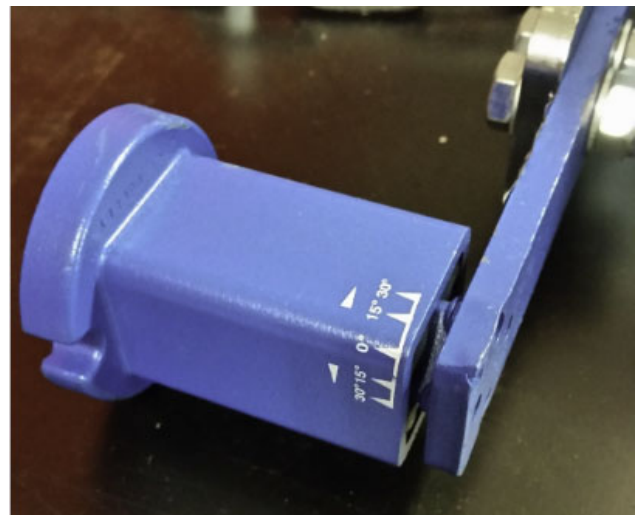
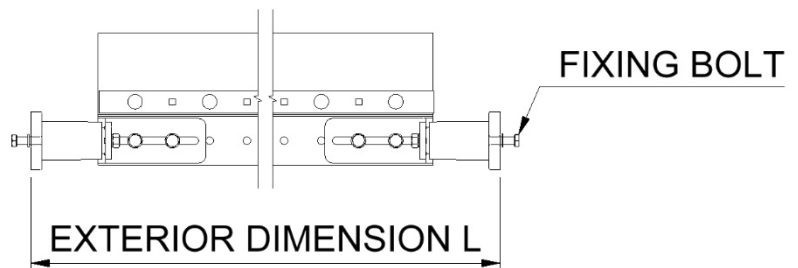
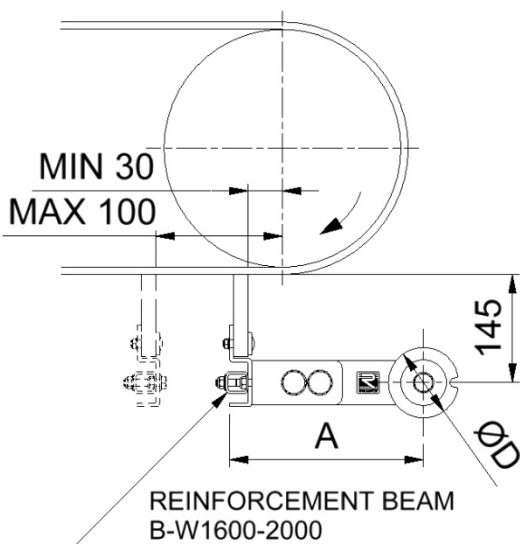
FITTING

1.	The scraper is placed below the drive pulley with the PUR strip as shown in the drawing (page 2)
2.	With 8 mm steel plate, make two mounting plates with holes (for mounting the blue torsion elements)
3.	Weld the mounting plates to the frame
4.	The scraper is bolted to the mounting plates using the supplied bolts
5.	Set the blue torsion elements (5) using a pipe wrench, at a torque angle equal on both sides. Tighten the fixing screws using a torque wrench at the value shown in the table (page 2)

Inspect and clean the scraper regularly– we suggest once a week.
 When half the strip height remains, change it (2).
 Change the strip by undoing the M8 nuts and flat iron bar. Bolt on the new strip.
 Set the scraper. Set the torsion element using a pipe wrench and lock the bolt.
 Readjust the scraper pressure so as to achieve optimal cleaning. There must be no vibrations or noise.
 However, vibrations may arise when the belt is run without material or when the belt has a coating of resin. In the long term, vibrations may result in cracking of the beam. These must therefore be eliminated. Try therefore:
 changing the angle of the blade against the belt a few degrees
 changing the pressure of the blade against the belt.
 making a more robust attachment to the frame.
 increasing the mass of the beam (1) by, for example, fitting a small lever arm to the beam (1).

NOTE ! We suggest that the torsion elements will be set according to F torque angle (see table here below) which is giving a scraping pressure of approximately 5-10 N/cm² (0.05 ÷ 0.1 MPa) .
 We do recommend that the torsion elements not will be set at a pretension angle above 20°.

B-W	L standard beam length	Ø D	A	Fixing screw	Fixing screw torque	F pressure torque angle
400	482-582	58	166	M10	49 Nm	9° - 14°
500	582-682	58	166	M10	49 Nm	11° - 16°
650	682-782	58	166	M10	49 Nm	12° - 18°
800	840-940	78	208	M12	86 Nm	10° - 15°
1000	1040-1140	78	208	M12	86 Nm	13° - 18°
1200	1240-1340	78	208	M12	86 Nm	15° - 21°
1400	1440-1540	78	208	M12	86 Nm	17° - 23°
1600	1700-1800	95	260	M16	210 Nm	12° - 17°
1800	1900-2000	95	260	M16	210 Nm	14° - 18°
2000	2100-2200	95	260	M16	210 Nm	15° - 20°



WARRANTY

Damage to the scraper caused by incorrect handling or in connection with incorrect installation cannot be considered to be covered by warranty if these instructions have not been followed. We therefore accept no claims for any consequential damage or loss.