



2.5.3 Series PL

Where used

In conveyors used to transport very corrosive materials and where difficult working conditions prevail: the extraction industries and in the mining of salt, chemical industries, fertiliser manufacture and in marine environments which require corrosion resistant rollers.

These rollers demonstrate particular resistance to the presence of high humidity and water, and also to corrosive elements present in the environment or in the conveyed material itself.

The design of the rollers utilises plastic materials for the most critical parts, which, excellently and economically, substitute for traditional materials such as stainless steel, bronze and aluminium.

Testing and actual plant trials have well demonstrated the efficiency and versatility of these rollers.

The characteristics designed into them provide a long working life even in the most severe environment, and when one considers their low purchasing and maintenance cost, PL/PLF rollers provide the ideal solution for severe applications.

The functioning temperatures recommended are:

-10° to +50°C for PL rollers





2 Rollers

series PL-PLF



Characteristics

The PL roller has been designed with two important principles: to offer the maximum resistance to a corrosive environment, together with mechanical properties sufficient to sustain heavy loads on the belt conveyor or caused by the material being conveyed.

The first characteristic has been achieved utilising, for all the external parts of the roller, materials resistant to corrosion.

The second, is the design of the roller itself as a precision arrangement and generously dimensioned (whether it is the thickness of the load carrying parts or in the items in contact with the belt).

The result of this intelligent design has made possible a roller very resistant to the environment and to chemicals and aggressive materials, and at the same time of surprising lightness, optimum balance and quietness, that also reduces energy consumption thanks to the avoidance of any contact parts in the sealing system.

Roller shell

Comprises a precision high quality rigid PVC tube of a large thickness resistant to low and high temperatures.

Bearing housings

They are produced by a high pressure moulding of polypropylene loaded with fibreglass.

This material gives high resistance to corrosion as well as an optimum mechanical resistance.

The endcap is forced with an interference fit into the counterbored section of the tube to present an united structure that is very robust, light, flexible and above all shock resistant.

Spindles

Diameter 20 mm in drawn steel and ground to guarantee at optimum fit to the bearing.

Bearings

Radial rigid precision bearings with a spherical ball race, series 6204 and internal play C3 fit.

Seals

Internally we find a labyrinth seal which brushes against the spindle to protect the bearing from eventual condensation or rusting from the interior of the tube where it is in steel.

The tube when in plastic does not rust and having a good thermic insulation limits the formation of condensation.

The patented external protection is made from anti-corrosive material: polypropylene loaded with glass fibre, similar to the end cap.

Resistance to chemical agents

Agents	Polypropylene (PP)	Polyvinyl chloride (PVC)
Grease, oil	○	○
Petrol	○	○
Strong alkalines	○	○
Weak alkalines	○	○
Strong acids	□	▲
Weak acids	▲	○
Hydrocarbons	□	▲
Organic acids	○	○
Alcohol	○	○
Ketone	□	●

○ resistant

● non resistant

▲ in general sufficiently resistant

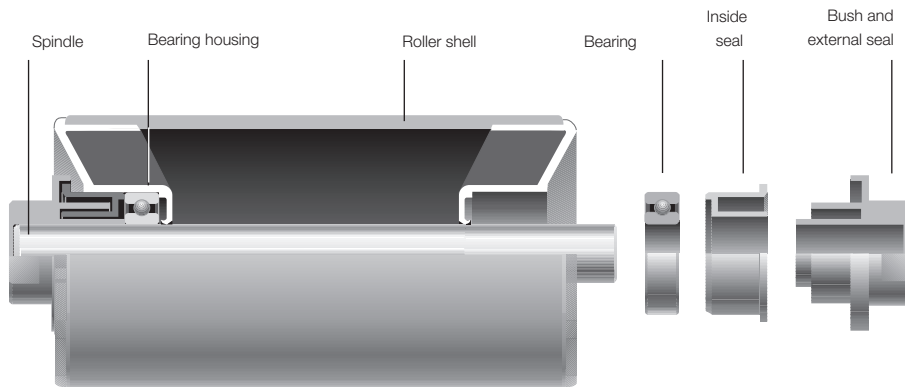
□ resistant only in certain conditions

The seal presents a front cover shield, that prevents the ingress to the body of items larger than 0.5 mm.

The particular self cleaning geometry of the end cap facilitates the rejection of fine particles by the action of gravity, even when the roller is inclined, meanwhile the centrifugal action of the roller rotation aids the cleaning process when material arrives in the proximity of the end cap.

The labyrinth is very deep and divided into two zones separated by a large chamber, which lengthens the route for and protects the bearing from the ingress of foreign particles.

The wall of the labyrinth on the bearing side is formed in a manner that increases the grease chamber. The type of grease is lithium based water repellent and anti-rusting, providing lubrication for long roller life.

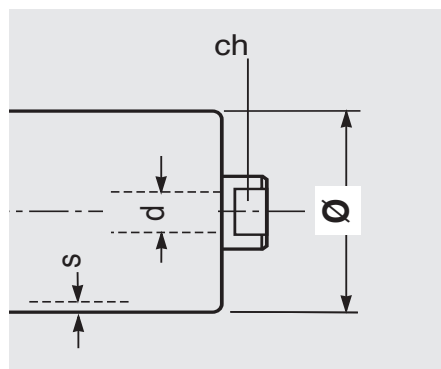


Programme of production series PL

The table indicates the diameter of rollers in production. The diameters are those standards according to European unification to norm DIN (for steel body).

Upon request rollers may be supplied with lengths and spindle extensions according to norms CEMA, BS, JIS, AFNOR, ISO-FEM and UNI.

roller type	Ø mm	basic design	s	spindle d	ch	bearings	note
PL 2	90	V	4,3	20	30	6204	with tube in rigid PVC, colour grey RAL 7030, spindle steel S235JR (Fe360, DIN St37) slotted bushes in polypropylene fiber glass charged
	110	V	5,3				
	140	V	8,5				
PL 3	90	V	4,3	20	14	6204	with tube in rigid PVC, colour grey RAL 7030, spindle steel S235JR (Fe360, DIN St37) slotted bushes in polypropylene fiber glass charged
	110	V	5,3				
	140	V	8,5				
PL 4	90	V	4,3	20	14	6204	with tube in rigid PVC, colour grey RAL 7030, spindle steel S235JR (Fe360, DIN St37) with flats ch14
	110	V	5,3				
	140	V	8,5				





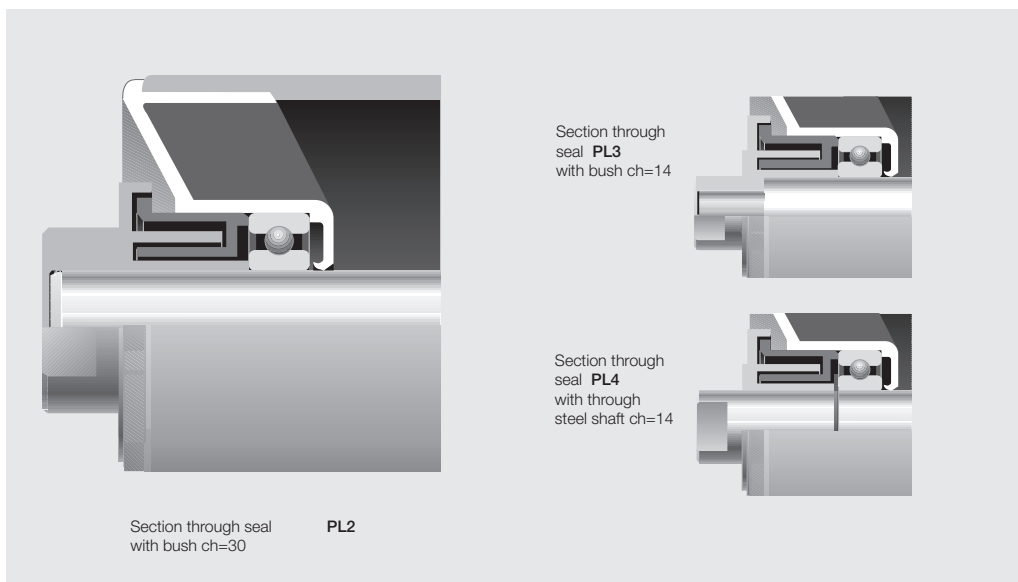
2 Rollers

series

PL 2

PL 3

PL 4



Ø 90 V

Bearing 6204
(20 X 47 X 14)

PL 2

d = 20
d₁ = 35
ch = 30
s = 4,3
e = 4
g = 10


PL 4

d = 20
d₁ = 20
ch = 14
s = 4,3
e = 4
g = 10

PL 3

d = 20
d₁ = 20
ch = 14*
s = 4,3
e = 4
g = 10

* on request ch=18

belt		roller										
width mm		dimensions mm			weight Kg		load capacity daN					
arrangements 	B	C	A	rotating parts		belt speed m/s						
				parts	total	1	1.25	1.5	1.75	2	2.5	
	400	160	168	188	0.7	1.2	97	88	80	75	70	63
	500	200	208	228	0.8	1.3	97	88	80	75	70	63
	400 650	250	258	278	0.8	1.5	97	88	80	75	70	63
	500 800	315	323	343	1.0	1.8	97	88	80	75	70	63
	650 1000	380	388	408	1.1	2.1	97	88	80	75	70	63
	800 1200	465	473	493	1.2	2.4	97	88	80	75	70	63
400		500	508	528	1.3	2.6	97	88	80	75	70	63
500 1000		600	608	628	1.5	3.0	97	88	80	75	70	63
1200		700	708	728	1.6	3.4	97	88	80	75	70	63
650		750	758	778	1.7	3.6	97	88	80	75	70	63
800		950	958	978	2.1	4.5	50	50	50	50	50	50
1000		1150	1158	1178	2.4	5.3	28	28	28	28	28	28
1200		1400	1408	1428	2.8	6.3	16	16	16	16	16	16

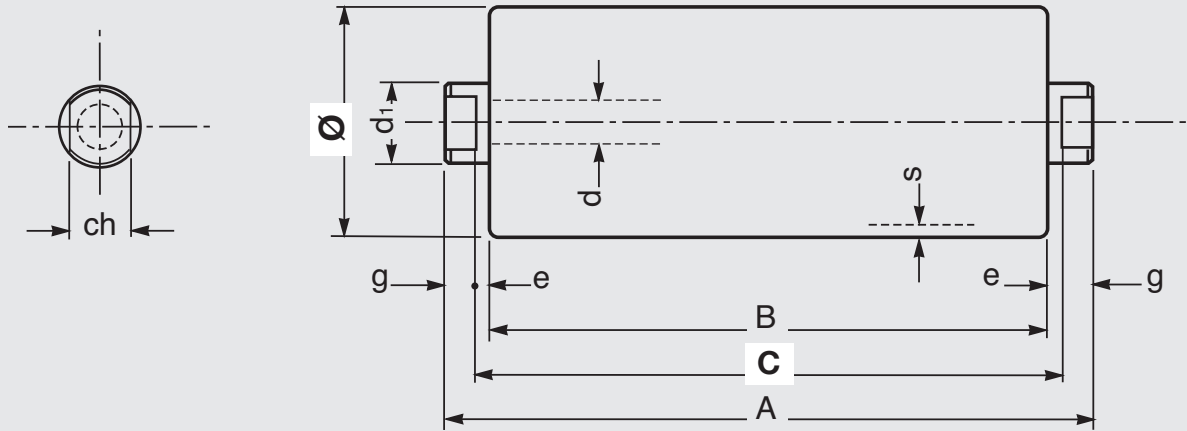
The indicated load capacity relates to a project working life of 10,000 hours.

Example of ordering

standard design
PL2,20N,90V,323
PL3,20N,90V,388
PL4,20F,90V,508

PL3,20N18,90V,538
PL4,20F15,90V,608

for special design
see pages 80-81



Ø 110 V

Bearing 6204
(20 x 47 x 14)

PL 2

d = 20
d₁ = 35
ch = 30
s = 5,3
e = 4
g = 10


PL 4

d = 20
d₁ = 20
ch = 14
s = 5,3
e = 4
g = 10

PL 3

d = 20
d₁ = 20
ch = 14*
s = 5,3
e = 4
g = 10

* on request ch=18

belt		roller										
width mm		dimensions mm			weight Kg		load capacity daN					
arrangements 		B	C	A	rotating parts total		belt speed m/s					
					1	total	1	1.25	1.5	2	2.5	3
400		160	168	188	1.2	1.6	107	96	88	77	69	64
500		200	208	228	1.3	1.8	107	96	88	77	69	64
400	650	250	258	278	1.4	2.1	107	96	88	77	69	64
500	800	315	323	343	1.5	2.4	107	96	88	77	69	64
650	1000	380	388	408	1.7	2.7	107	96	88	77	69	64
800	1200	465	473	493	1.9	3.1	107	96	88	77	69	64
400		500	508	528	2.0	3.3	107	96	88	77	69	64
500	1000	600	608	628	2.2	3.8	107	96	88	77	69	64
	1200	700	708	728	2.5	4.3	107	96	88	77	69	64
650		750	758	778	2.6	4.5	107	96	88	77	69	64
800		950	958	978	3.1	5.5	107	96	88	77	69	64
1000		1150	1158	1178	3.6	6.5	62	62	62	62	62	62
1200		1400	1408	1428	4.2	7.7	35	35	35	35	35	35

The indicated load capacity relates to a project working life of 10,000 hours.

Example of ordering

standard design
PL2,20N,110V,473
PL3,20N,110V,388
PL4,20F,110V,508

PL3,20N18,110V,538
PL4,20F15,110V,608

for special design
see pages 80-81



2 Rollers

series

PL 2

PL 3

PL 4

Ø140 V

Bearing 6204
(20 X 47 X 14)

PL 2

d = 20
d₁ = 35
ch = 30
s = 8,5
e = 4
g = 10

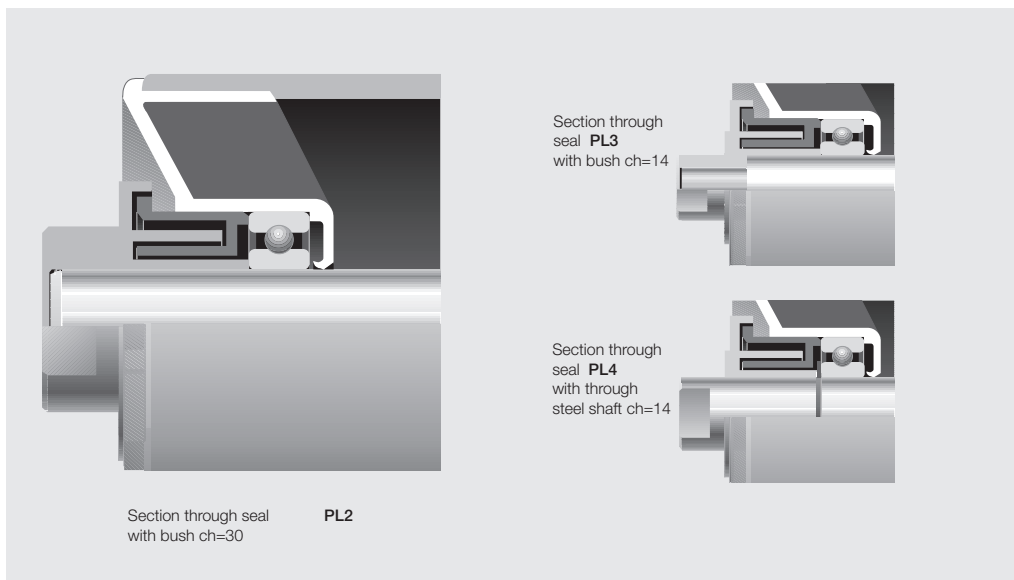
PL 3


d = 20
d₁ = 20
ch = 14*
s = 8,5
e = 4
g = 10

* on request ch=18

PL 4

d = 20
d₁ = 20
ch = 14
s = 8,5
e = 4
g = 10



belt	roller			weight		load capacity					
	width mm	dimensions mm			Kg	daN					
arrangements 	B	C	A	rotating parts		belt speed m/s					
				parts	total	1	1.5	2	2.5	3	4
400	160	168	188	2.3	2.8	120	99	78	76	71	62
500	200	208	228	2.5	3.1	120	99	78	76	71	62
400 650	250	258	278	2.8	3.4	120	99	78	76	71	62
500 800	315	323	343	3.1	3.9	120	99	78	76	71	62
650 1000	380	388	408	3.4	4.4	120	99	78	76	71	62
800 1200	465	473	493	3.8	5.0	120	99	78	76	71	62
400	500	508	528	4.0	5.3	120	99	78	76	71	62
1400	530	538	558	4.1	5.5	120	99	78	76	71	62
500 1000	600	608	628	4.5	6.0	120	99	78	76	71	62
1200	700	708	728	5.0	6.8	120	99	78	76	71	62
650	750	758	778	5.2	7.1	120	99	78	76	71	62
1400	800	808	828	5.5	7.5	120	99	78	76	71	62
800	950	958	978	6.2	8.6	120	99	78	76	71	62
1000	1150	1158	1178	7.2	10.1	120	99	78	76	71	62
1200	1400	1408	1428	8.4	11.9	107	99	78	76	71	62

The indicated load capacity relates to a project working life of 10,000 hours.

Example of ordering

standard design
PL2,20N,140V,473
PL3,20N,140V,388
PL4,20F,140V,508

PL3,20N18,140V,538
PL4,20F15,140V,608

for special design
see pages 80-81

