



## 2 Rollers

series

**PL 2**

**PL 3**

**PL 4**

**Ø140 V**

Bearing 6204  
(20 X 47 X 14)

### PL 2

d = 20  
d<sub>1</sub> = 35  
ch = 30  
s = 8,5  
e = 4  
g = 10

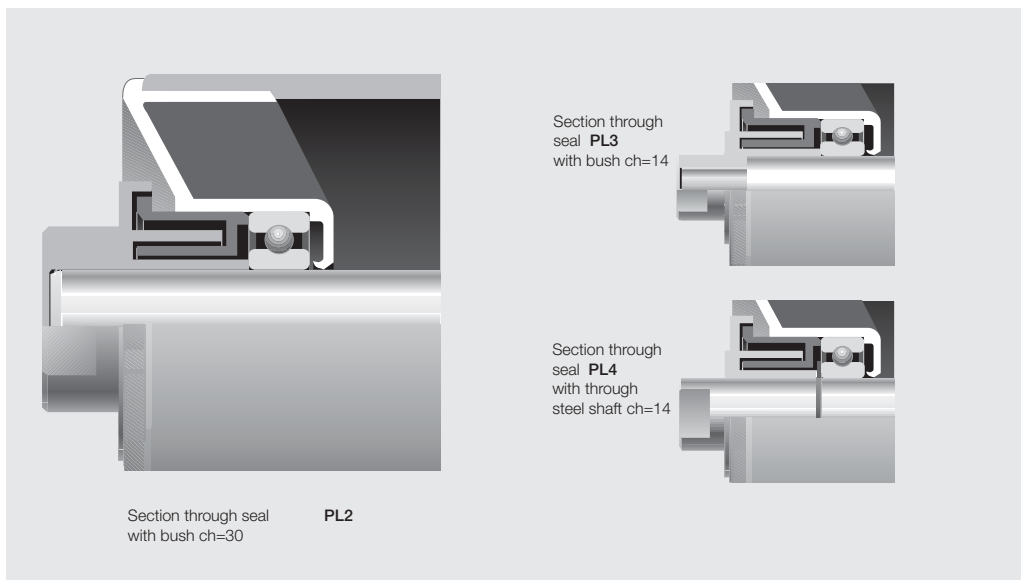
### PL 3


d = 20  
d<sub>1</sub> = 20  
ch = 14\*  
s = 8,5  
e = 4  
g = 10

\* on request ch=18

### PL 4

d = 20  
d<sub>1</sub> = 20  
ch = 14  
s = 8,5  
e = 4  
g = 10



belt	roller			weight		load capacity					
	width mm	dimensions mm			Kg	daN					
arrangements 	B	C	A	rotating parts		belt speed m/s					
				parts	total	1	1.5	2	2.5	3	4
400	160	168	188	2.3	2.8	120	99	78	76	71	62
500	200	208	228	2.5	3.1	120	99	78	76	71	62
400 650	250	258	278	2.8	3.4	120	99	78	76	71	62
500 800	315	323	343	3.1	3.9	120	99	78	76	71	62
650 1000	380	388	408	3.4	4.4	120	99	78	76	71	62
800 1200	465	473	493	3.8	5.0	120	99	78	76	71	62
400	500	508	528	4.0	5.3	120	99	78	76	71	62
1400	530	538	558	4.1	5.5	120	99	78	76	71	62
500 1000	600	608	628	4.5	6.0	120	99	78	76	71	62
1200	700	708	728	5.0	6.8	120	99	78	76	71	62
650	750	758	778	5.2	7.1	120	99	78	76	71	62
1400	800	808	828	5.5	7.5	120	99	78	76	71	62
800	950	958	978	6.2	8.6	120	99	78	76	71	62
1000	1150	1158	1178	7.2	10.1	120	99	78	76	71	62
1200	1400	1408	1428	8.4	11.9	107	99	78	76	71	62

The indicated load capacity relates to a project working life of 10,000 hours.

### Example of ordering

standard design  
PL2,20N,140V,473  
PL3,20N,140V,388  
PL4,20F,140V,508

PL3,20N18,140V,538  
PL4,20F15,140V,608

for special design  
see pages 80-81