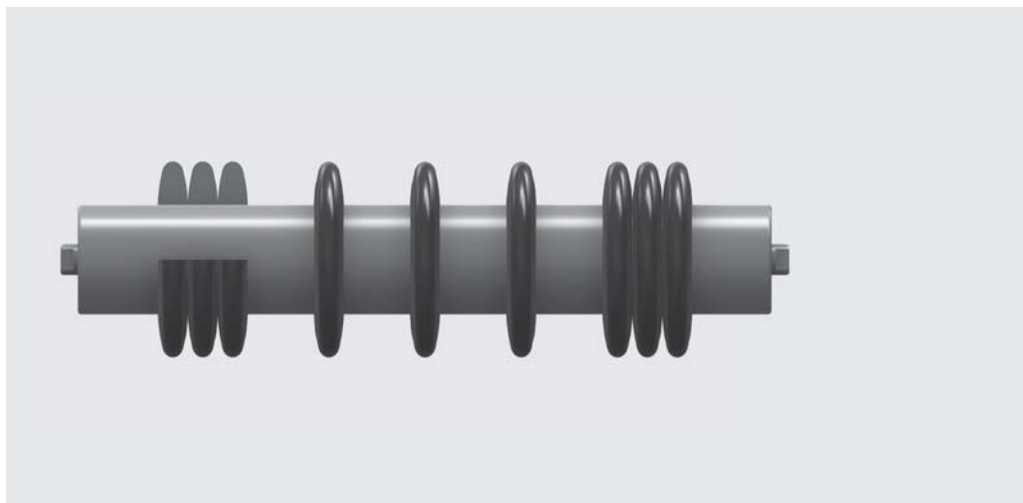




2 Rollers

series with rings



Øe 108 NG

Base roller:

RTL/1

D = 60;
spindle 15 ; d₁ = 20
bearing 6202
ch = 17

PSV/1-FHD

D = 63;
spindle 20; d₁ = 20
bearing 6204
ch = 14

MPS/1

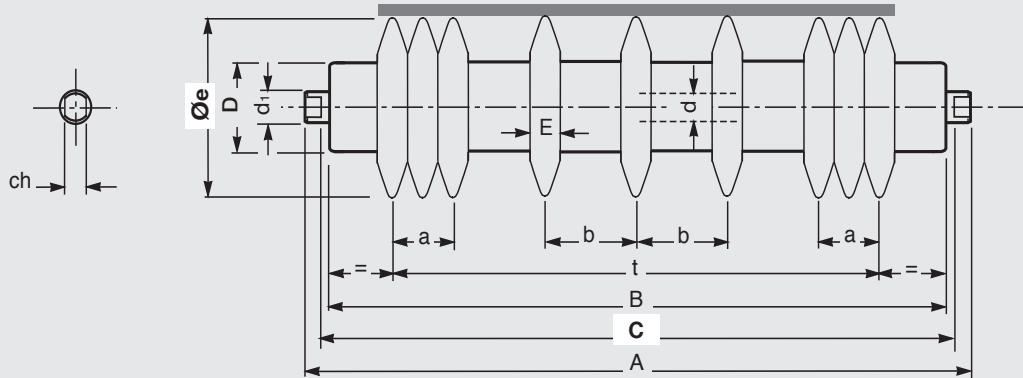
D = 60;
spindle 15; d₁ = 20
bearing 6202
ch = 17

belt	roller							
	width mm			dimensions mm			weight Kg	rings n°
arrangements	B	C	A	RTL/1	MPS/1	PSV/1-FHD	total	
	300	380	388	406	2.7	3.4	5	
	400	500	508	526	3.2	4.1	5	
	500	600	608	626	3.8	4.8	5.9	6
	650	750	758	776	4.9	6.1	7.4	9
	800	950	958	976	6.0	7.4	9.0	10
	1000	1150	1158	1176	7.1	8.9	10.7	12
	1200	1400	1408	1426		10.4	12.6	13
	1400	1600	1608	1626			14.3	15

roller length C mm	rings				side central side		
	a mm	b	t	E	n°		
388	25	85	220	25	2	1	2
508	25	135	320	25	2	1	2
608	25	130	440	25	2	2	2
758	50	125	600	25	3	3	3
958	50	124	720	25	3	4	3
1158	50	115	905	25	3	6	3
1408	50	125	1100	25	3	7	3
1608	50	120	1300	25	3	9	3

Example of ordering
standard design
MPS/1,15B,108NG,508

for special designs
see pages 80-81



Øe 133 NG

Base roller:

RTL/1

D = 60;
spindle 15; d₁ = 20
bearing 6202
ch = 17

MPS/1

D = 60;
spindle 15; d₁ = 20
bearing 6202
ch = 17

PSV/1-FHD

D = 63;
spindle 20; d₁ = 20
bearing 6204
ch = 14

belt	roller			weight			rings n°
	width mm	dimensions mm		Kg			
arrangements							
	B	C	A	RTL/1	MPS/1	PSV/1-FHD	total
300	380	388	406	3.8	4.4		5
400	500	508	526	4.3	5.1		5
500	600	608	626	5.1	6.0	7.1	6
650	750	758	776	6.8	8.0	9.3	9
800	950	958	976	8.1	9.5	11.1	10
1000	1150	1158	1176	9.7	11.4	13.2	12
1200	1400	1408	1426		13.2	15.4	13
1400	1600	1608	1626			17.5	15
1600	1800	1808	1826			19.7	17

roller length C mm	rings				side central side		
	a mm	b	t	E	n°		
388	30	100	260	30	2	1	2
508	30	120	300	30	2	1	2
608	30	115	405	30	2	2	2
758	60	120	600	30	3	3	3
958	60	120	720	30	3	4	3
1158	60	115	925	30	3	6	3
1408	60	125	1120	30	3	7	3
1608	60	120	1320	30	3	9	3
1808	60	115	1500	30	3	11	3

Example of ordering
standard design
PSV/1-FHD,20F,133NG,758

for special designs
see pages 80-81