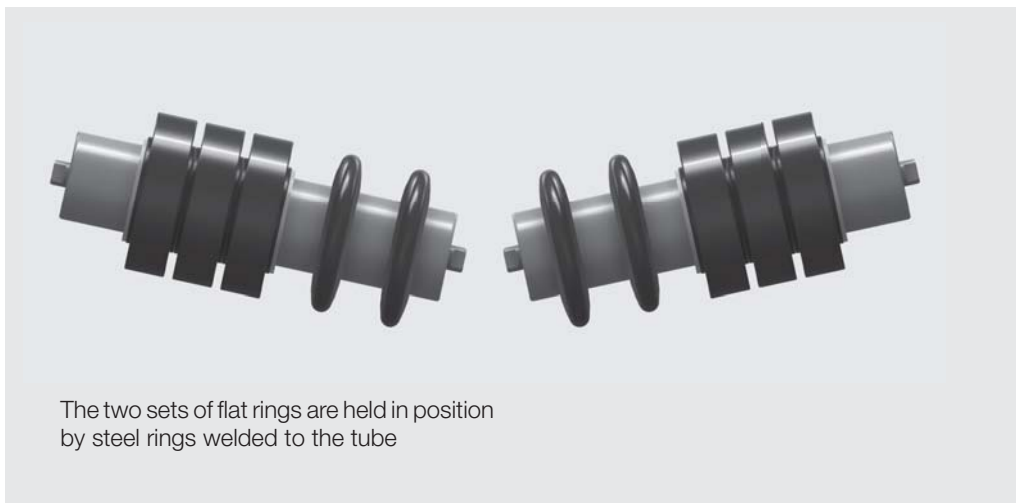




2 Rollers

series with rings



The two sets of flat rings are held in position by steel rings welded to the tube

Øe 108 NC

Base roller:

PSV/1-FHD

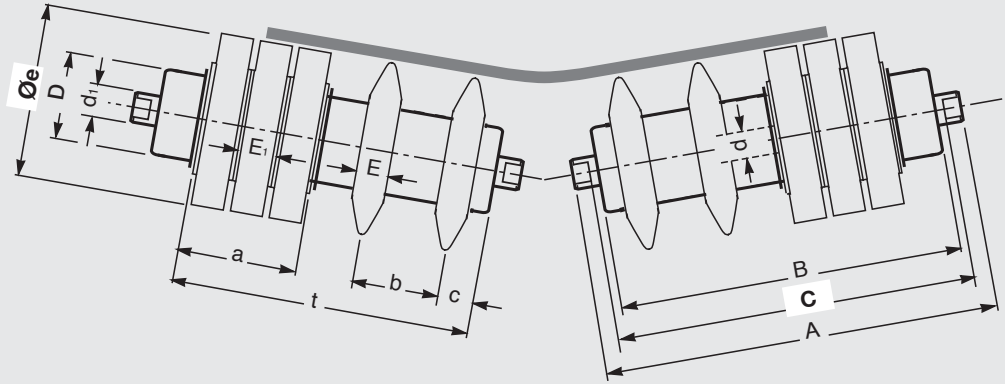
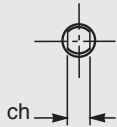
D = 63;
spindle 20; d₁ = 20
bearing 6204
ch = 14

belt	rollerC					
300	200	208	226	2.8		3
400	250	258	276	3.1		3
500	315	323	341	3.7		4
650	380	388	406	4.2		4
800	465	473	491	4.9		5
1000	600	608	626	6.1		6
1200	700	708	726	7.0		7
1400	800	808	826	7.9		8

roller	rings	208	90 60			25	175	25		
45	2	1								
258			90	80	25	195	25	45	2	1
323			90	70	25	255	25	45	2	2
388			90	90	30	300	25	45	2	2
473			90	95	30	405	25	45	2	3
608			135	110	40	505	25	45	3	3
708			135	105	40	595	25	45	3	4
808			180	120	40	700	25	45	4	4

Example of ordering
standard design
PSV/1-FHD,20F,108NC,608

for special designs
see pages 80-81



Øe 133 NC

Base roller:

PSV/1-FHD

D = 89;
spindle 20; d₁ = 20
bearing 6204
ch = 14

PSV/2-FHD

D = 89;
spindle 25; d₁ = 25
bearing 6205
ch = 18

PSV/4-FHD

D = 89;
spindle 30; d₁ = 30
bearing 6206
ch = 22

Example of ordering

belt	roller				weight			rings n°
	width mm	dimensions mm			Kg			
arrangement	B	C	A	PSV/1-FHD	PSV/2-FHD	PSV/4-FHD	total	
	500	315	323	*	4.8			5
	650	380	388	*	5.4	6.5		5
	800	465	473	*	6.5	7.7	9.1	6
	1000	600	608	*	7.9	9.3	10.9	7
	1200	700	708	*	9.1	10.6	12.4	8
	1400	800	808	*	10.0	11.7	13.6	8
	1600	900	908	*	11.2	13.0	15.1	9
	1800	1000	1008	*		14.0	16.3	10
	2000	1100	1108	*			17.8	11

* in relation to the choice of base roller

roller length C mm	rings						side central n°	
	a mm	b	c	t	E	E ₁	side	central
323	105	70	30	275	30	35	3	2
388	105	85	30	305	30	35	3	2
473	105	90	30	405	30	35	3	3
608	140	105	40	495	30	35	4	3
708	140	105	40	600	30	35	4	4
808	140	130	40	700	30	35	4	4
908	140	125	40	805	30	35	4	5
1008	140	120	50	910	30	35	4	6
1108	140	120	50	1030	30	35	4	7



2 Rollers

series with rings



The pointed rings are held in position by PVC distance collars; the rings at either end are held in position by an external steel ring welded to the tube.

Øe 159 NC

Base roller:

PSV/1-FHD

D = 89;
spindle 20; d₁ = 20
bearing 6204
ch = 14

PSV/2-FHD

D = 89;
spindle 25; d₁ = 25
bearing 6205
ch = 18

PSV/4-FHD

D = 89;
spindle 30; d₁ = 30
bearing 6206
ch = 22

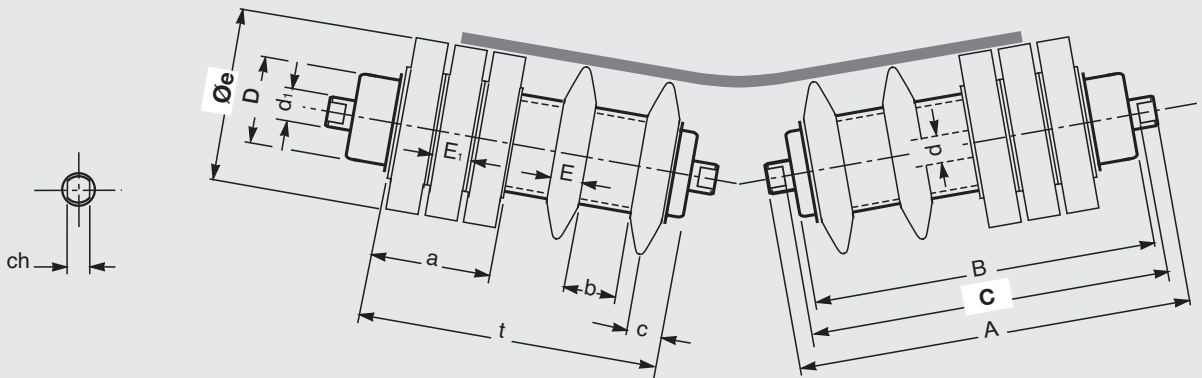
Example of ordering
standard design
PSV/2-FHD,25F,159NC,908

for special designs
see pages 80-81

belt	roller			weight Kg	rings n°			
	width mm	dimensions mm				PSV/1-FHD	PSV/2-FHD	PSV/4-FHD
arrangement	B C A						total	
	500	315	323	*	5.5		4	
	650	380	388	*	6.1	6.8	4	
	800	465	473	*	7.2	8.1	9.4	5
	1000	600	608	*	9.0	10.1	11.6	6
	1200	700	708	*	10.3	11.4	13.2	7
	1400	800	808	*	11.2	12.5	14.4	7
	1600	900	908	*	12.4	13.9	16.0	8
	1800	1000	1008	*		15.3	17.5	9
	2000	1100	1108	*			18.9	10

* in relation to the choice of base roller

roller length C mm	rings						side n°	central n°
	a	b	c	t	E	E ₁		
323	100	40	30	253	30	50	2	2
388	100	65	30	303	30	50	2	2
473	100	65	30	396	30	50	2	3
608	150	85	40	516	30	50	3	3
708	150	85	40	629	30	50	3	4
808	150	110	40	729	30	50	3	4
908	150	100	40	817	30	50	3	5
1008	150	95	50	925	30	50	3	6
1108	150	95	50	1048	30	50	3	7



Øe 180 NC

Base roller:

PSV/1-FHD

D = 108;
spindle 20; d₁ = 20
bearing 6204
ch = 14

PSV/7-FHD

D = 108;
spindle 40; d₁ = 40
bearing 6308
ch = 32

PSV/2-FHD

D = 108;
spindle 25; d₁ = 25
bearing 6205
ch = 18

PSV/4-FHD

D = 108;
spindle 30; d₁ = 30
bearing 6206
ch = 22

Example of ordering
standard design
PSV/2-FHD,25F,180NC,908

for special designs
see pages 80-81

belt	roller				weight				rings n°
	width mm	dimensions mm			Kg				
arrangement	B C A			PSV/1-FHD PSV/2-FHD PSV/4-FHD PSV/7-FHD				total	
	800	465	473	*	10.2	11.0	12.4	16.8	6
	1000	600	608	*	12.5	13.5	15.1	20.0	7
	1200	700	708	*	14.2	15.4	17.2	22.4	8
	1400	800	808	*	15.4	16.7	18.6	24.3	8
	1600	900	908	*	17.2	18.6	20.7	26.7	9
	1800	1000	1008	*		20.5	22.8	29.1	10
	2000	1100	1108	*			24.9	31.6	11
	2200	1250	1258	*			27.7	34.9	12

* in relation to the choice of base roller

roller length C mm	rings						side central	
	a mm	b	c	t	E	E ₁	n°	n°
473	120	60	45	435	40	40	3	3
608	160	70	45	515	40	40	4	3
708	160	75	45	645	40	40	4	4
808	160	100	45	745	40	40	4	4
908	160	90	45	835	40	40	4	5
1008	160	85	55	945	40	40	4	6
1108	160	85	55	1070	40	40	4	7
1258	160	85	55	1195	40	40	4	8