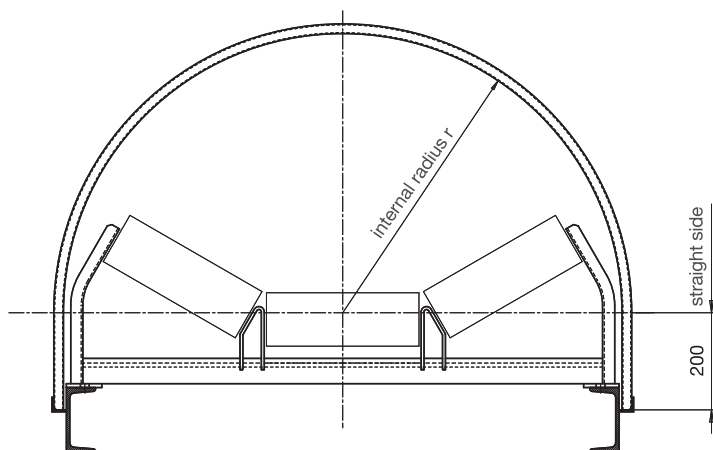
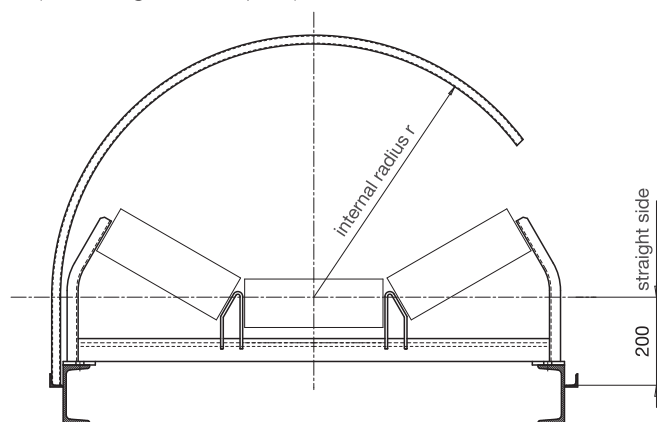


6 Covers

6.3.1 CPTA 1 Half circle with straight side



CPTA 1, 180° standard straight side 200 mm
(other lengths on request)



CPTA 1, 135°



Ordering code example:

CPTA 1 1600/1025 180/1064 P200 FG H30 Z35

type _____
 belt width/radius _____
 degrees/ length _____
 straight side
 (standard P200) _____
 with or without punching
 (F with punching, - without punching) _____
 fixing type
 (B, G, S) _____
 punching height _____
 material/covering
 (standard Z35 - see page 292) _____

Cover Type	Belt width mm	Radius r mm	Standard Length 1064 at 180° kg	Open Length 1064 at 135° kg	Cover at 180° length 304 kg	thick mm	Door 45° kg
CPTA 1	400	350	11.7	8.0	3.05	0.75	5.0
	500	400	12.9	8.7	3.37	0.75	5.4
	650	475	14.7	10.2	3.84	0.75	5.8
			550 *	11.6	4.32	0.75	6.3
	800	575	17.0	12.0	4.47	0.75	6.5
			650 *	13.4	6.59	1	6.9
	1000	675	19.5	13.8	6.80	1	7.1
			750 *	15.2	7.42	1	7.5
	1200	800	22.5	16.0	9.80	1.25	7.9
			875 *	17.4	10.59	1.25	8.3
	1400	900	24.9	17.9	10.85	1.25	8.5
	1600	1025	27.8	20.1	14.60	1.50	9.3
1800	1125	30.2	21.9	15.85	1.50	9.9	

Note:

For fixing accessories please refer to page 300-301. (*) radius on request