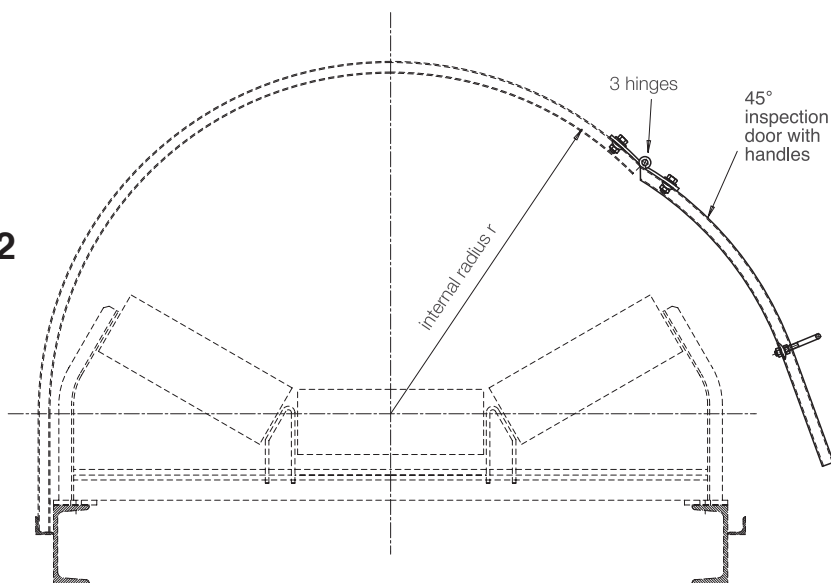


6 Covers

6.3.3 CPTA DOOR 45° inspection door for CPTA 1 and CPTA 2



The standard supply includes:

- One 45° door with straight side (to be specified)
- 3 hinges
- 1 handle

- 2 fixing brackets
- zinc-plated bolts to fix the above mentioned parts

We supply loose components.

Ordering code example for the inspection door:

CPTA DOOR 1 1600/1025 P200 H30 Z35

type _____

belt width/radius _____

straight side (standard P200) _____

support profile height _____

material/covering (standard Z35 - see page 292) _____

CPTA DOOR 2 1600/1025 H30 Z35

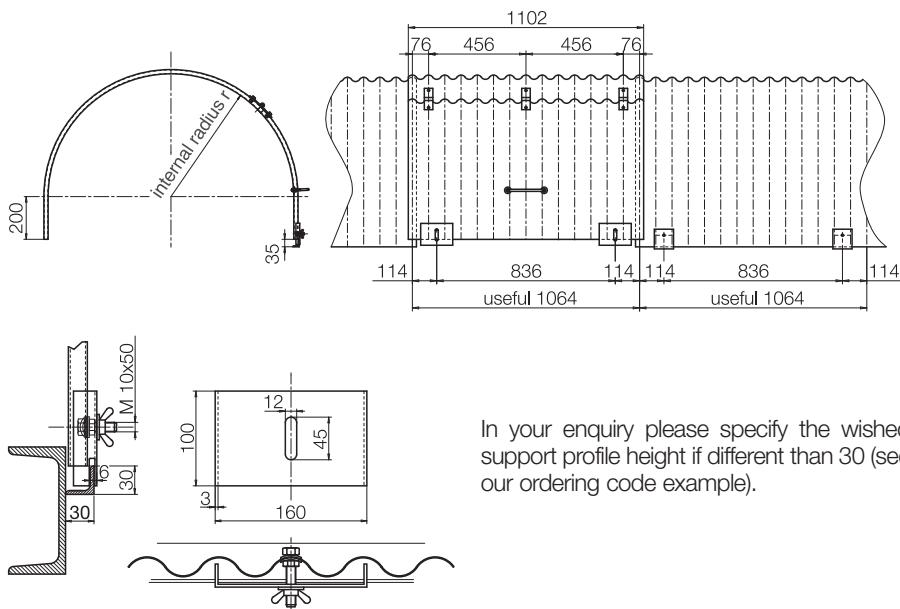
type _____

belt width/radius _____

support profile height _____

material/covering (standard Z35 - see page 292) _____

Assembling example:



In your enquiry please specify the wished support profile height if different than 30 (see our ordering code example).

Caution: please check and confirm the straight side height so that the cover cannot interfere with transoms and rollers.