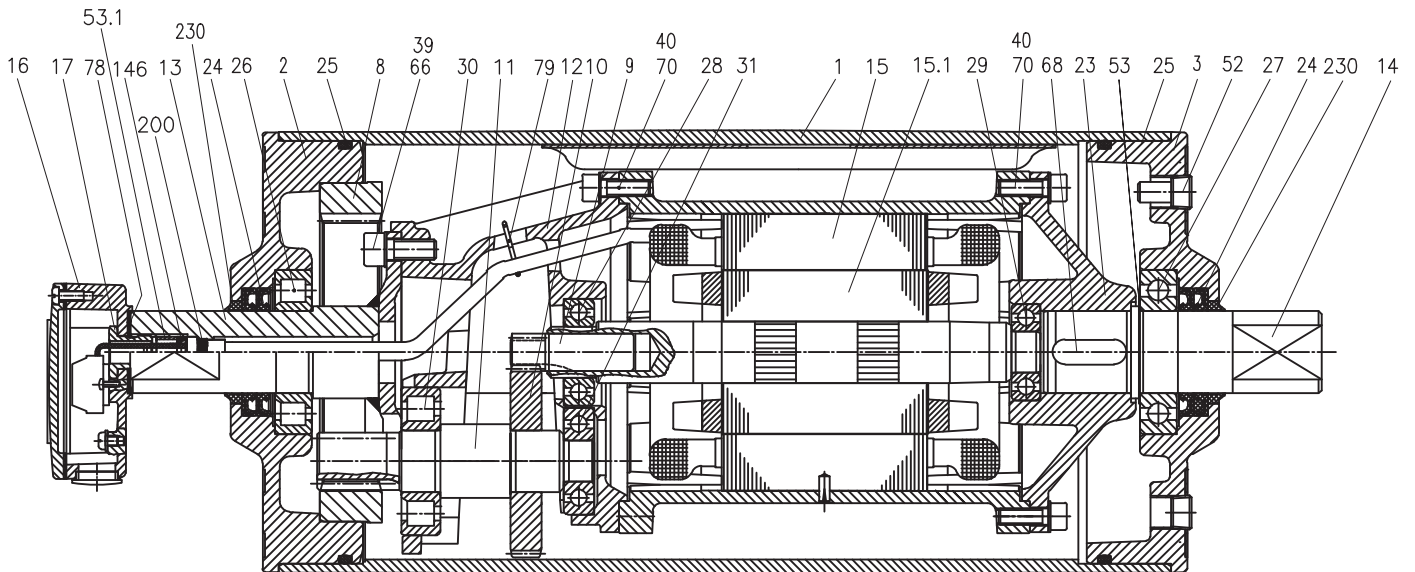


Motorized Pulley 220M, Ø 216 mm

Spare parts list and sectional drawings

Pos.	Description	Pos.	Description	Pos.	Description
1	Shell	24	2 dust lip seals at each side	70	Toothed washer
2	End housing with geared rim	24	Double lip seal at each side for labyrinth option	78	Gasket
3	End housing	25	O-ring	79	Holding clip or plastic tie
8	Geared rim	26	Bearing	85.1	Intermediate flange for brake assembly
9	Rotor pinion	27	Bearing	91	Electromagnetic brake
10	Input wheel	28	Bearing	93	Retaining ring
11	Output pinion	29	Bearing (Backstop solution: One-way-bearing)	95	Straight connector
12	Gear box	30	Bearing	96	Elbow connector
13	Front shaft	31	Bearing	101	Key
14	Rear shaft	39	Hexagon socket screw	104	Distance washer
15	Stator complete	40	Hexagon socket screw	120	Labyrinth cover
15.1	Rotor	41	Hexagon socket screw	121	Set screw
16	Terminal box complete	52	Magnetic oil plug	122	O-ring
17	Nipple	53	Distance washer	123	Grease nipple
20	Cover	53.1	Compression nipple	124	Distance washer
20.1	Cover with labyrinth groove	59	Countersunk head screw	143	O-ring
23	Rear flange	66	Waved spring washer	146	Special shaped compression washer
23.1	rear flange for backstop	68	Key	200	Rubber seal
23.2	Rear flange for electromagnetic Brake			230	Deflection seal

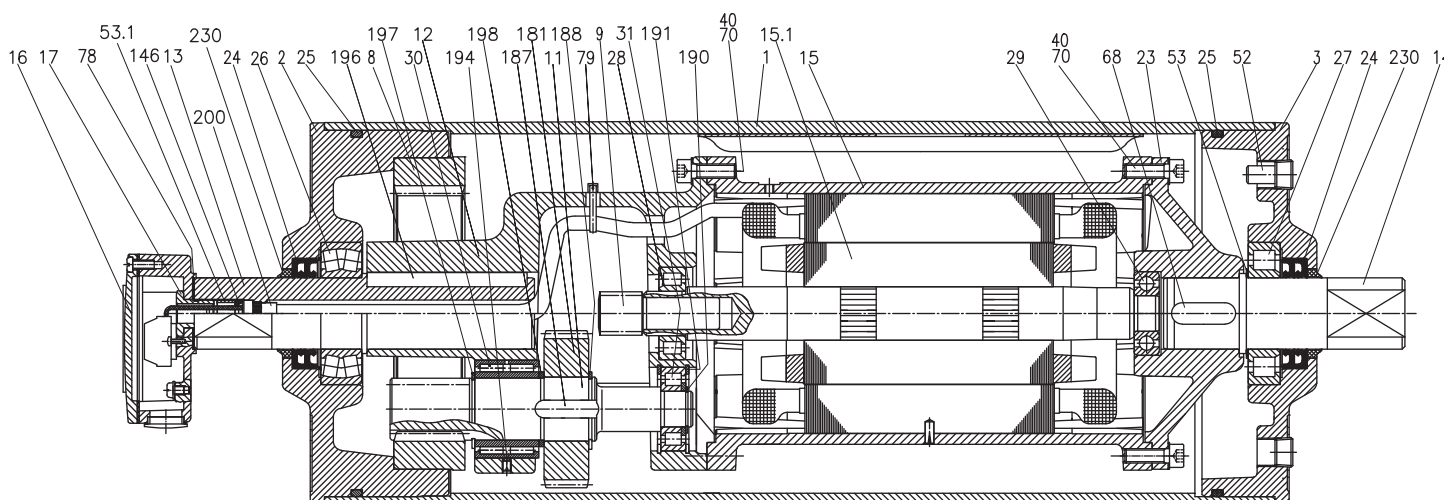
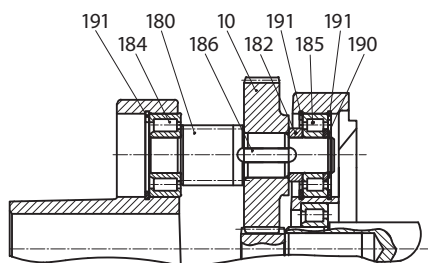


Motorized Pulley 220H, Ø 216 mm

Spare parts list and sectional drawings

Pos.	Description	Pos.	Description	Pos.	Description
1	Shell	20.1	Cover with labyrinth groove	95	Straight connector
2	End housing with geared rim	23	Rear flange	96	Elbow connector
3	End housing	23.1	Rear flange for backstop	101	Key
8	Geared rim	23.2	Rear flange for electromagnetic brake	104	Distance washer
9	Rotor pinion	24	2 Dust lip seals each side	120	Labyrinth cover
10	Input wheel	24	1 double lip seal at labyrinth option	121	Set screw
11	Output pinion	25	O-ring	122	O-ring
12	Gear box	26	Bearing	123	Grease nipple
13	Front shaft	27	Bearing	124	Distance washer
14	Rear shaft	28	Bearing	143	O-ring
15	Stator complete	29	Bearing (Backstop solution: One-way-bearing)	146	Special shaped compression washer
15.1	Rotor	30	Bearing	180	Intermediate pinion
16	Terminal box complete	40	Hexagon socket screw	181	Intermediate wheel
17	Nipple	41	Hexagon socket screw	182	Distance washer
20	Cover	52	Magnetic oil plug	183	Distance washer
		53	Distance washer	184	Roller bearing
		53.1	Compression nipple	185	Roller bearing
		59	Countersunk head screw	186	Key
		68	Key	187	Key
		70	Toothed washer	188	Retaining ring
		78	Gasket	190	Retaining ring
		79	Holding clip or plastic tie	191	Retaining ring
		85.1	Intermediate flange for brake assembly	194	Set crew
		91	Electromagnetic brake	196	Key
		93	Retaining ring	197	Spring-washer
				198	Distance washer
				200	Rubber seal
				202	Motor data plate
				230	Deflection seal

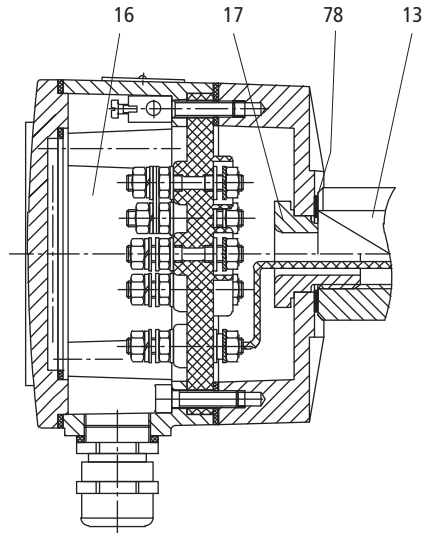
Intermediate Shaft



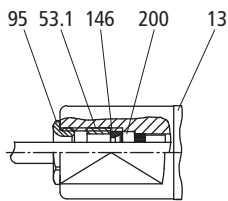
Motorized Pulley 220M & 220H, Ø 216 mm

Sectional drawings

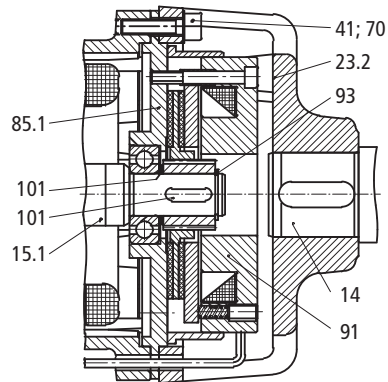
Large Terminal box



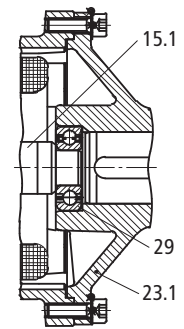
Straight Connector



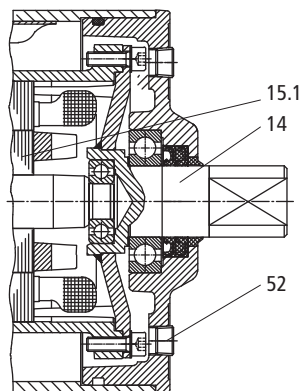
Electromagnetic Brake Option



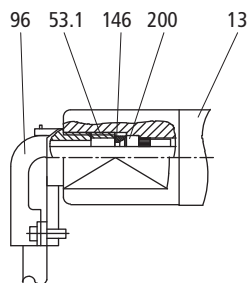
Backstop Option



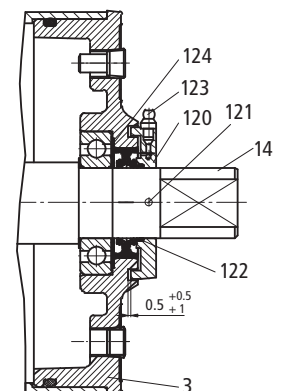
Short Version



Elbow Connector



Labyrinth Option - Mild Steel

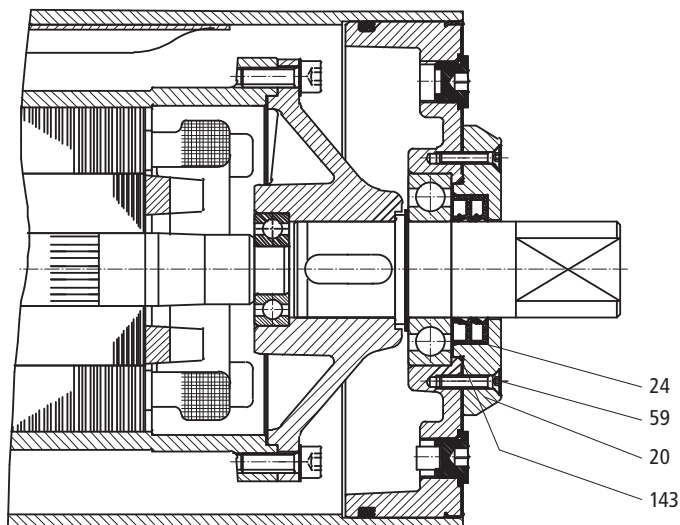




Motorized Pulley 220M & 220H, Ø 216 mm

Sectional drawings

220M & 220H
Stainless steel option TS10N & TS12N



220M & 220H
Stainless steel option TS9N & TS11N

