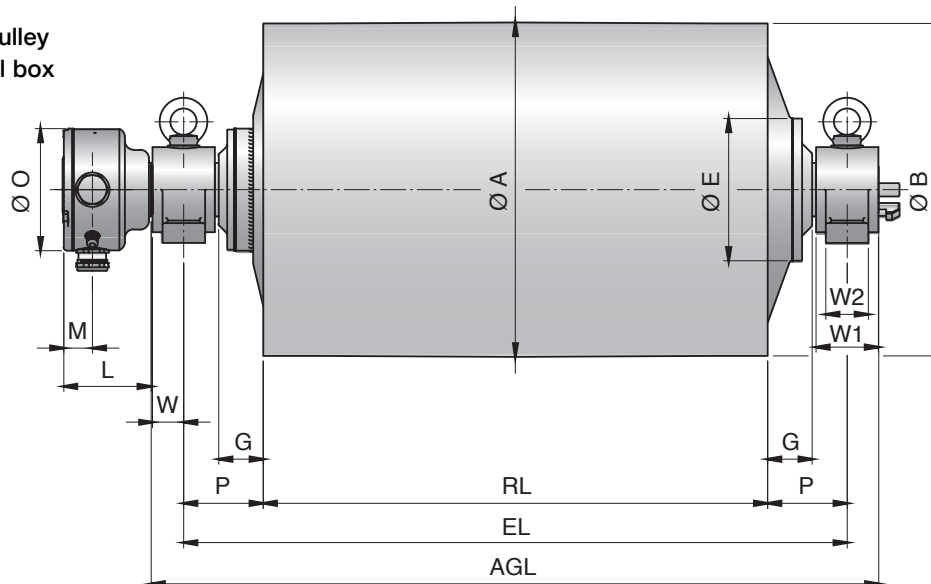
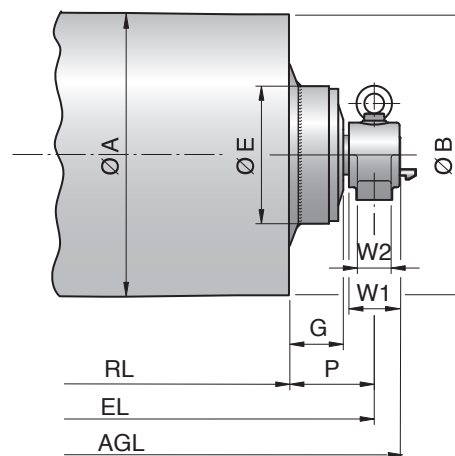


## Motorized Pulley 630M & 630H, Ø 630 mm

Motorized Pulley  
with terminal box

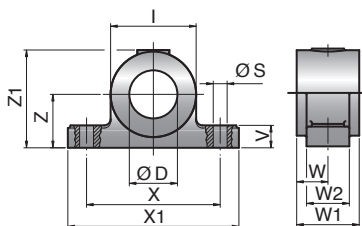


Idler Pulley  
UT500H / UT502H



| Type                  | A mm | B mm | C mm | D mm | E mm | G mm | L mm | M mm | O mm | P mm |
|-----------------------|------|------|------|------|------|------|------|------|------|------|
| 630M                  | 630  | 626  | -    | 65   | 192  | 95   | 131  | 46   | 165  | 150  |
| 630M (22&30kW) / 630H | 630  | 626  | -    | 90   | 268  | 84   | 166  | 54   | 230  | 150  |
| UT500H                | 501  | 497  | -    | 65   | 235  | 95   | -    | -    | -    | 150  |
| UT502H                | 501  | 497  | -    | 90   | 226  | 85   | -    | -    | -    | 150  |

Mounting brackets  
AL65 & ALO65  
AL90 & ALO90



| Motorized Pulleys<br>& Idler Pulleys (UT)<br>Type | Material             | Bracket<br>description | Dimensions |      |      |      |      |       |       |      |       |      |       | Weight<br>kg |
|---|----------------------|------------------------|------------|------|------|------|------|-------|-------|------|-------|------|-------|--------------|
|   |                      |                        | D mm       | I mm | S mm | V mm | W mm | W1 mm | W2 mm | X mm | X1 mm | Z mm | Z1 mm |              |
| 630M & UT500H                                     | Spheroidal cast iron | AL65 / ALO65           | 65         | 115  | 23   | 34   | 45   | 90    | 60    | 180  | 240   | 80   | 141   | 8.0          |
| 630H & UT502H                                     | Cast steel           | AL90 / ALO90           | 90         | 160  | 26   | 42   | 58.5 | 117   | 80    | 250  | 320   | 100  | 183   | 19.0         |