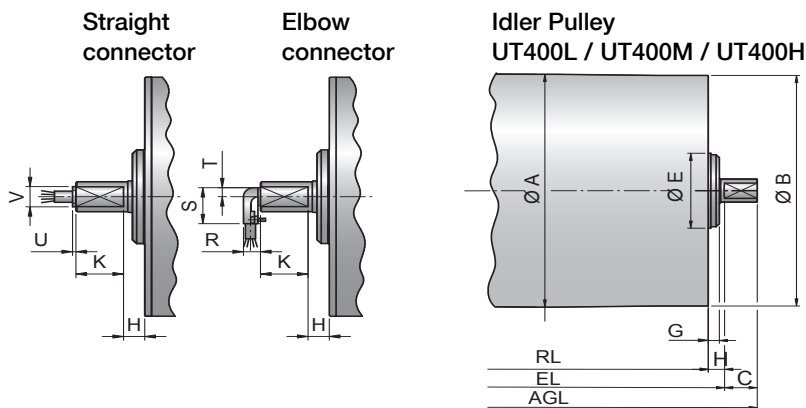
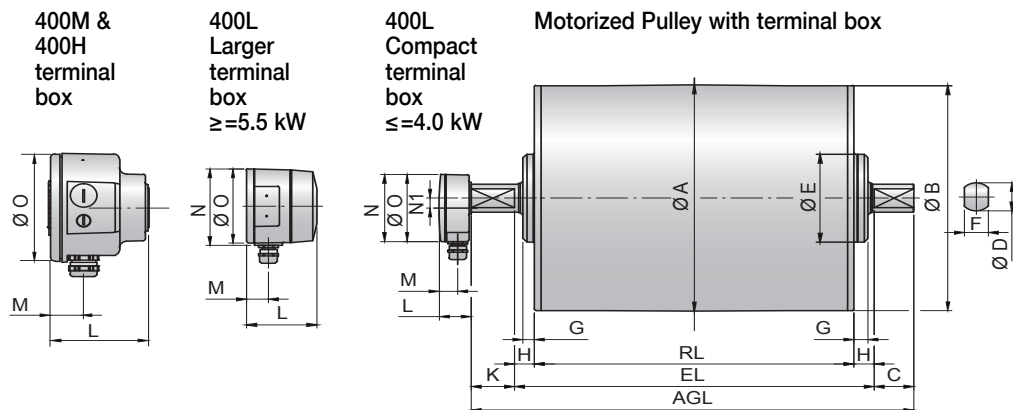
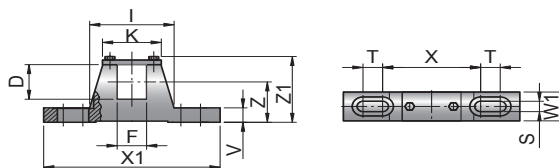


Motorized Pulley 400L, 400M & 400H, Ø 400 mm



| Type | Motorized Pulley or idler Pulley (UT) | | | | | | | | | Compact terminal box ≤4.0 kW | | | | Larger terminal box ≥5.5 kW | | | | Straight connector ≤4.0 kW | | Elbow connector ≤4.0 kW | | |
|-----------------|---------------------------------------|-----|----|----|-----|----|----|----|----|------------------------------|----|----|----|-----------------------------|----|-----|-----|----------------------------|----|-------------------------|----|----|
| | A | B | C | D | E | F | G | H | K | L | M | N | N1 | L | M | N | O | U | V | R | S | T |
| 400L | 404 | 400 | 50 | 40 | 125 | 30 | 20 | 25 | 54 | 41 | 24 | 95 | 14 | 87 | 27 | 107 | 105 | 4 | 27 | 20 | 48 | 12 |
| 400M & 400H | 404 | 400 | 50 | 60 | 194 | 45 | 23 | 25 | 50 | - | - | - | - | 131 | 46 | - | 165 | - | - | - | - | - |
| UT400L | 404 | 400 | 50 | 40 | 125 | 30 | 17 | 25 | - | | | | | | | | | | | | | |
| UT400M & UT400H | 404 | 400 | 50 | 60 | 168 | 45 | 20 | 25 | - | | | | | | | | | | | | | |

Mounting brackets KL41-HD & KL60



| Motorized Pulleys Type | Material | Bracket description | Dimensions | | | | | | | | | | | | Weight kg |
|------------------------|----------|---------------------|------------|----|-----|----|----|----|----|----|-----|-----|----|-----|-----------|
| | | | D | F | I | K | S | T | V | W1 | X | X1 | Z | Z1 | |
| 400L | Steel | KL41-HD | 40 | 30 | 84 | 62 | 14 | 20 | 22 | 40 | 110 | 190 | 50 | 83 | 2.1 |
| 400M & 400H | Steel | KL60 | 60 | 45 | 132 | 90 | 18 | 30 | 25 | 50 | 150 | 270 | 70 | 115 | 4.8 |