

DRUM MOTOR 138LS

138.5Ø 0.10kW - 1.00kW, with steel helical gearbox

Product description

The drum motor 138LS is a very flexible component thanks to the wide range of powers and speeds.

Characteristics

- Salt water resistant aluminum bearing housing
- Three phase AC induction motor
- Dual voltage
- Integral motor protection
- Steel- hardened helical spur gear
- Low noise operation
- Maintenance free
- Lifetime lubrication
- Reversible operation
- Reinforced shaft for RL greater than 800 mm

Applications

- Conveyors for heavy and frequent use
- Conveyors for transportation of packages
- Logistics applications
- Check-in desks at airports
- Conveyors for furniture manufacture
- Manufacturing of food processes
- Modular belts, steel or plastic applications
- Dry, damp and frequent wash down applications

TECHNICAL DATA

Motor Data

Type of Motor	Asynchronous squirrel-cage, IEC 34 (VDE 0530)
Insulation class of motor windings	Class F, IEC 34 (VDE 0530)
Derated windings (20% power reduction)	On request for applications without belt
Voltage	230/400 V ± 5% (IEC 34/38) Special voltage on request
Frequency	50/60 Hz
Internal shaft sealing system	Double-lipped FPM or nitrile rubber, NBR
Protection rate	IP66, IP69 in TS8N Version
Thermal protection	Bimetallic Contact
Ambient temperature, 3-phase motor	-25 to +40 °C
General technical data	
Max. Roller length (RL)	1800 mm

All data and values declared in the catalogue refer to operation with a frequency of 50 Hz.



DRUM MOTOR 138LS

138.5Ø 0.10kW - 1.00kW, with steel helical gearbox

Materials

The following drum motor components are available in different versions, as shown in the below chart, with further options for the material type as indicated.

Components	Version	Material				
		Aluminium	Steel	Stainless Steel	Brass /Nickel	Polymer
Shell	Crowned		Std	TS8N		
	Cylindrical		Std	TS8N		
	Cylindrical + key (for sprockets)		Std	TS8N		
	Special crowns and grooves		Std	TS8N		
End housing	Standard	Std		TS8N		
	With V-grooves		Std	TS8N		
	With O-grooves		Std	TS8N		
	With chain sprockets		Std	TS8N		
Shaft	Standard		Std	TS8N		
	Cross-drilled and threaded, M8		Std	TS8N		
Electrical connection	Straight connector			TS8N	Std	
	Elbow connector			TS8N		Std
	Terminal box	Std		TS8N		

Please contact Rulmeca for further versions.

TS8N Version - End Caps in stainless steel with PTFE lip seals.

Options

- Rubber Lagging for standard belts
- Profiled lagging for plastic modular belts
- Profiled lagging for thermoplastic belts
- Sprockets for plastic modular belts
- Backstop / Anti run-back bearing
- Electromagnetic brake
- Rectifiers
- Encoder
- Food-grade Oil (EU, FDA and USDA)
- Non-horizontal mounting
(more than $\pm 5^\circ$)
- TS8N with mild steel shell is possible
- Dynamic balancing

Note

The combination of encoder and electromagnetic brake is not possible.

Accessories

- Mounting brackets
- Idler Pulleys
- Rollers for conveyors
- Frequency Converters

DRUM MOTOR 138LS

138.5Ø 0.10kW - 1.00kW, with steel helical gearbox

TECHNICAL DATA DRUM MOTOR 138LS - 3PHASE - 50HZ - STANDARD

P_N [kW]	np (rpm)	I_t [A]	gs	i	V_A [m/s]	V_N [m/s]	n_A [min ⁻¹]	M_N [Nm]	F_T [N]	RL [mm]
0.10	12 (440)	1.3/0.75	3	78.40	0.04	0.04	6	162	2360	min 300 max 1800
				66.00	0.05	0.05	7	136	1987	
			52.96	0.06	0.06	8	109	1594		
			29.56	0.11	0.10	15	61	890		
0.18	8 (670)	2.0/1.15	3	66.00	0.07	0.08	10	160	2331	min 300 max 1800
				52.96	0.09	0.10	13	128	1870	
			43.65	0.11	0.13	15	106	1542		
			29.56	0.16	0.16	23	72	1044		
0.24	6 (920)	1.55/0.9	3	25.20	0.19	0.20	26	61	890	min 300 max 1800
				66.00	0.10	0.10	14	156	2280	
			52.96	0.12	0.13	17	125	1830		
			43.65	0.15	0.16	21	103	1508		
0.37	6 (935)	2.25/1.3	3	29.56	0.22	0.20	31	70	1021	min 320 max 1800
				25.20	0.26	0.25	36	60	871	
			20.22	0.33	0.32	45	48	699		
			66.00	0.15	0.16	21	158	2310		
0.55	4 (1400)	2.1/1.2	3	52.96	0.19	0.20	26	127	1854	min 300 max 1800
				43.65	0.23	0.25	32	105	1528	
			29.56	0.34	0.32	47	71	1035		
			25.20	0.40	0.40	55	60	882		
0.75	2 (2730)	2.3/1.3	3	20.22	0.50	0.50	68	48	708	min 300 max 1800
				16.67	0.60	0.63	83	40	583	
			12.44	0.81	0.80	111	30	435		
			77.41	0.25	0.25	35	141	2065		
1.0	4 (1365)	3.6/2.1	3	66.00	0.30	0.32	41	121	1761	min 300 max 1800
				52.96	0.37	0.40	51	97	1413	
			43.65	0.45	0.50	62	80	1165		
			29.56	0.66	0.63	91	54	789		
0.75	2 (2845)	3.1/1.8	2	25.20	0.78	0.80	107	46	672	min 320 max 1800
				20.22	0.97	1.00	134	37	539	
			16.67	1.17	1.25	162	30	445		
			12.44	1.57	1.60	217	23	332		
1.0	2 (2810)	4.1/2.35	3	38.72	0.25	0.25	35	193	2818	min 350 max 1800
				32.59	0.30	0.32	41	162	2371	
			25.20	0.39	0.40	54	126	1834		
			20.22	0.48	0.50	67	101	1471		
1.0	2 (2810)	4.1/2.35	2	16.67	0.59	0.63	81	83	1213	min 350 max 1800
				25.20	0.81	0.80	112	60	880	
			20.22	1.01	1.00	139	48	706		
			16.67	1.22	1.25	169	40	582		
1.0	2 (2810)	4.1/2.35	3	12.44	1.64	1.60	226	30	434	min 350 max 1800
				43.65	0.46	0.50	64	141	2057	
			32.59	0.68	0.63	94	95	1393		
			25.20	0.80	0.80	110	81	1188		
1.0	2 (2810)	4.1/2.35	2	20.22	1.00	1.00	137	65	953	min 350 max 1800
				16.67	1.21	1.25	167	54	786	
			12.44	1.62	1.60	223	40	586		
			10.00	2.02	2.00	278	32	471		

DRUM MOTOR 138LS

138.5Ø 0.10kW - 1.00kW, with steel helical gearbox

TECHNICAL DATA DRUM MOTOR 138LS - 3PHASE - 50HZ - DERATED

P_N [kW]	np (rpm)	I_r [A]	gs	i	V_A [m/s]	V_N [m/s]	n_A [min ⁻¹]	M_N [Nm]	F_T [N]	RL [mm]
0.21	6 (930)	1.15/0.65	3	66.00	0.10	0.10	13.9	135	1974	min 300 max 1800
				52.96	0.13	0.13	17.4	108	1584	
				43.65	0.15	0.16	21.1	89	1305	
			2	29.56	0.23	0.20	31.1	61	884	
				25.20	0.26	0.25	36.5	52	754	
				20.22	0.33	0.32	45.5	41	605	
0.31	4 (1380)	1.4/0.8	3	66.00	0.15	0.16	20.7	134	1964	min 300 max 1800
				52.96	0.19	0.20	25.8	108	1576	
				43.65	0.23	0.25	31.3	89	1299	
			2	29.56	0.33	0.32	46.2	60	879	
				25.20	0.39	0.40	54.2	51	750	
				20.22	0.49	0.50	67.5	41	602	
				16.67	0.59	0.63	81.9	34	496	
				12.44	0.80	0.80	109.7	25	370	
				77.41	0.25	0.25	35.0	115	1684	
0.45	2 (2740)	1.7/1.0	3	66.00	0.30	0.32	41.1	98	1436	min 300 max 1800
				52.96	0.37	0.40	51.2	79	1152	
				43.65	0.45	0.50	62.1	65	949	
			2	29.56	0.66	0.63	91.7	44	643	
				25.20	0.78	0.80	107.6	38	548	
				20.22	0.97	1.00	134.0	30	440	
				16.67	1.18	1.25	162.6	25	363	
				12.44	1.58	1.60	217.9	19	271	
				38.72	0.26	0.25	36.1	154	2247	
0.62	4 (1415)	2.7/1.55	3	32.59	0.31	0.32	42.9	130	1891	min 320 max 1800
				25.20	0.40	0.40	55.5	100	1462	
			2	20.22	0.50	0.50	69.2	80	1173	
				16.67	0.61	0.63	84.0	66	967	

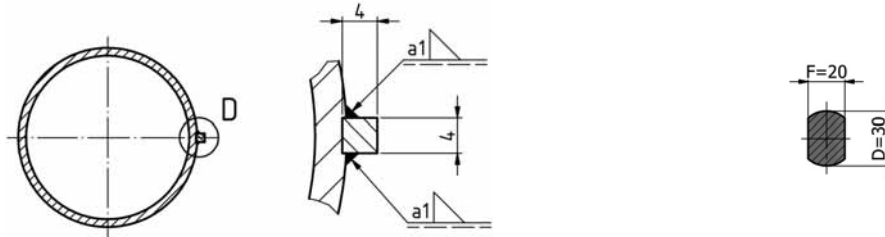
Derated motors are used in applications, where standard windings tend to overheat, typically in applications with no belt as modular belting, in hot environments or when thick lagging is required on shell. To gain the full benefit of the deration, the drum motor has to be operated close to or at full load. Derated motors should not be used together with Frequency Converters. In case of doubts Rulmeca offers technical support to order the optimal motor setup for the application.

P_N Nominal mechanical power
 np Number of poles
 rpm Actual rotor rpm at full load
 I_r Amperage (230/400V) at full load
 gs Gear stages
 i Gear ratio
 V_A Theoretical actual belt (tangential) speed at full load*
 V_N Nominal belt (tangential) speed
 n_A Revolutions of shell at full load*

M_N Nominal Torque at full load
 F_T Belt pull (tangential force) on shell at full load*
 RL Reference length
 * Valid for unlagged shells/ values can deviate at partly or no load conditions

DRUM MOTOR 138LS

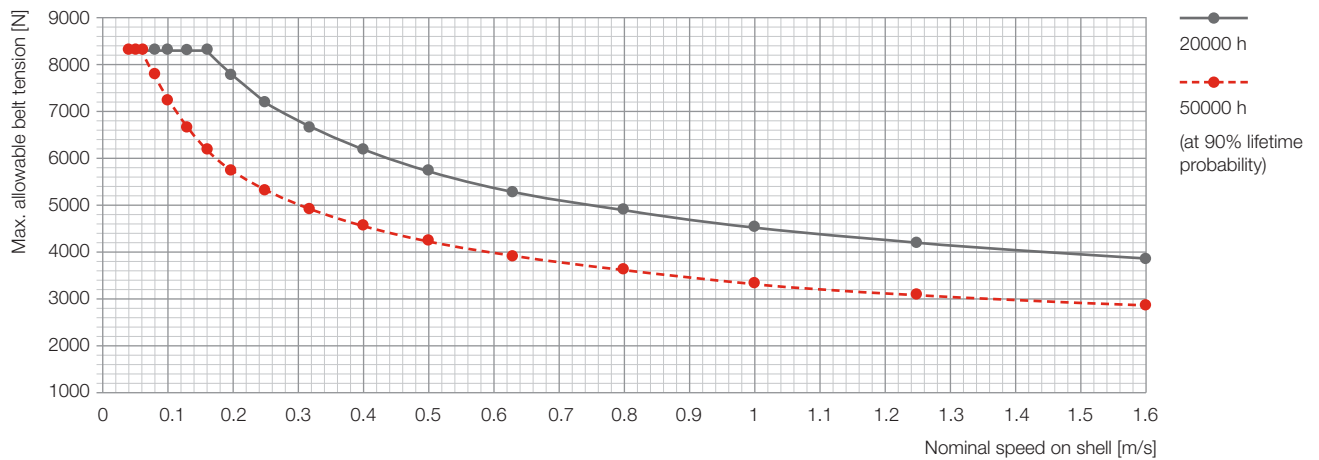
138.5Ø 0.10kW - 1.00kW, with steel helical gearbox



Drum motor with key 4x4

Standard shaft

Belt tension diagrams



For the right allowable belt tension value please check the accordant nominal speed on the drum motor shell.

DRUM MOTOR 138LS

138.5Ø 0.10kW - 1.00kW, with steel helical gearbox

STANDARD WEIGHT DATA DRUM MOTOR 138LS

P _N	np	Standard weight [kg] for standard RL [mm]													
		300	320	350	400	450	500	550	600	650	700	750	800	900	1000
0.10	12	14.0	14.5	15.0	16.0	17.0	18.0	19.0	20.0	21.5	23.0	24.0	25.0	27.0	29.0
0.18	8	14.0	14.5	15.0	16.0	17.0	18.0	19.0	20.0	21.5	23.0	24.0	25.0	27.0	29.0
0.24	6	14.0	14.5	15.0	16.0	17.0	18.0	19.0	20.0	21.5	23.0	24.0	25.0	27.0	29.0
0.37	6	---	15.0	15.6	16.5	17.5	18.5	19.5	20.5	22.0	23.5	24.5	25.5	27.5	29.5
	4	14.0	14.5	15.0	16.0	17.0	18.0	19.0	20.0	21.5	23.0	24.0	25.0	27.0	29.0
0.55	2	14.0	14.5	15.0	16.0	17.0	18.0	19.0	20.0	21.5	23.0	24.0	25.0	27.0	29.0
0.75	4	---	15.0	15.6	16.5	17.5	18.5	19.5	20.5	22.0	23.5	24.5	25.5	27.5	29.5
	2	---	---	18.0	19.0	20.0	21.0	22.0	23.0	24.5	26.0	27.0	28.0	30.0	32.0
1.0 idler (UT138LS)	-	6.5	7.0	7.5	8.5	9.5	10.5	11.5	12.5	13.5	14.5	15.5	16.5	19.5	21.5

Cable specification

Available cable options:

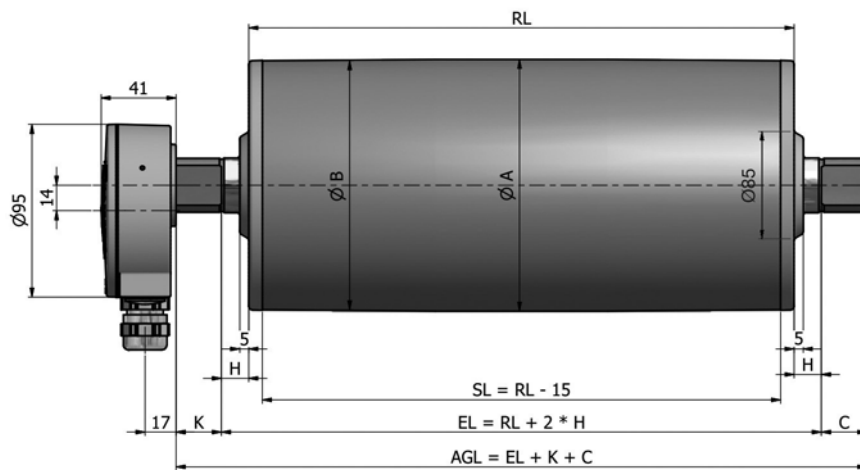
- Standard, screened
- Standard, unscreened
- Halogen-free, screened
- Halogen-free, unscreened

Available lengths: 1/3/5 m.

Min. length with option

The following options increase the minimum length of the drum motor

Option	RL min with option mm
Brake	RL min. + 50 mm
Encoder SKF	RL min. + 0 mm
Encoder RLS	RL min. + 50 mm



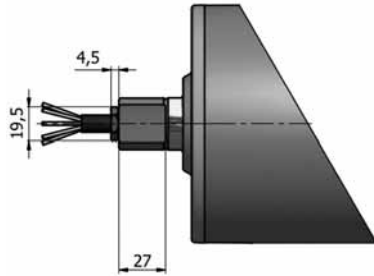
Drum motor with terminal box in aluminium

Drum shell shape	ØA [mm]	ØB [mm]
Crowned	138.5	137.0
Cylindrical	138.25	138.25
Cylindrical with key	137.0	137.0

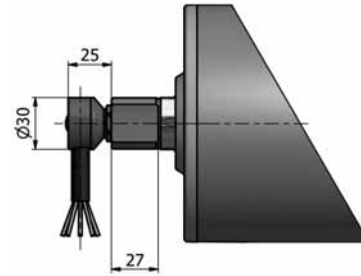
Shaft dimension	Width across flats [mm]	H [mm]	K [mm]	C [mm]
Ø30mm	20.0	15.0	27.0	25.0

DRUM MOTOR 138LS

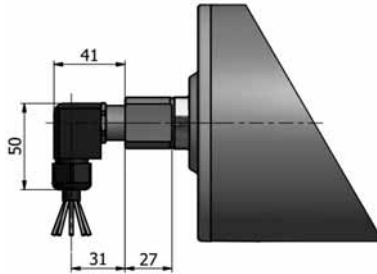
138.5Ø 0.10kW - 1.00kW, with steel helical gearbox



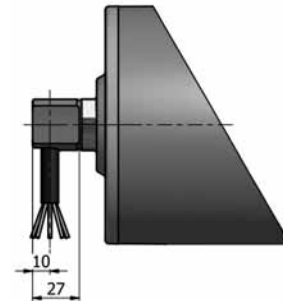
Straight connector in brass or stainless steel



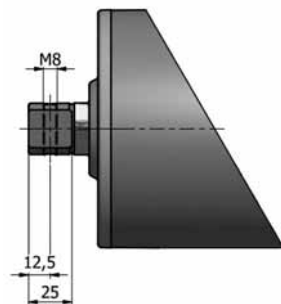
Elbow connector in stainless steel



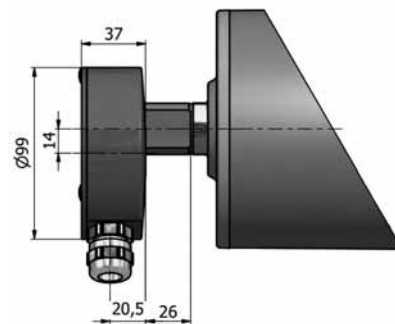
Elbow connector in polyamide



Cable slot 90° with threaded shaft



Cross-drilled and threaded shaft



Terminal box in stainless steel