

# MOTORIZED PULLEY 1000H & 1000HD

## Ø 1000 mm

The RULMECA motorized pulley type 1000 H/HD is a highly developed reliable and strong drive with an outstanding power range of 160 – 250 kW. It is able to take a high radial load and robust in design. Therefore it is especially developed for use in:

- Mining conveyors,
- Excavators,
- Stackers,
- Reclaimers,
- Heavy loaded conveyors in gravel and sand

The motorized pulley 1000 H/HD is designed for tough, irregular, extreme and brutal working condition. The compact design allows the design engineers to save material and cost when developing the conveyor.

A high protection rate connected with the standard labyrinth sealing system it can be used in all ambient conditions.

### STANDARD SPECIFICATION of Motorized Pulley

- Crowned mild steel shell + ceramic lagging, outside diameter 1020mm.
- Mild steel shafts.
- Totally enclosed cast iron brackets,
- Shell lagged with a 10mm bonded ceramic lagging.
- Bearing houses from cast steel.
- Gear 3-stage boxes from cast steel.
- Sealing system with degree of protection IP66/67 (EN60034-5).
- Terminal box from cast iron.
- 3-phase induction motors with 3 phase single voltage.
- Possible voltages 400V, 415V, 525V, 690V, 50Hz & 460V, 575V 60Hz + 500V/50Hz.
- Cast steel shafts.
- 3 bimetallic thermal protectors + 2 temperature resistors PT100 + 3 PTC resistors installed in winding

### Please specify!

- Motor winding insulations class H.
- Rotor dynamically balanced.
- 2 oil plugs (with magnet).
- Minimum roller length RL = 1250 mm at 160kW & 1500 at 250kW.
- Synthetic oil EP220.
- First oil change recommended after 50.000 operational hours.
- Regreasable labyrinth seals with automatic greasing system.

### Please Note!

- Environmental conditions: page 68/69
- Technical precautions: page 71 ff.,
- Optional extras: page 61,
- Connection diagrams: page 87 ff.



# MOTORIZED PULLEY 1000H & 1000HD

## Optional extras

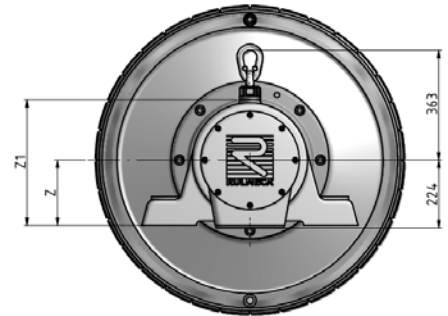
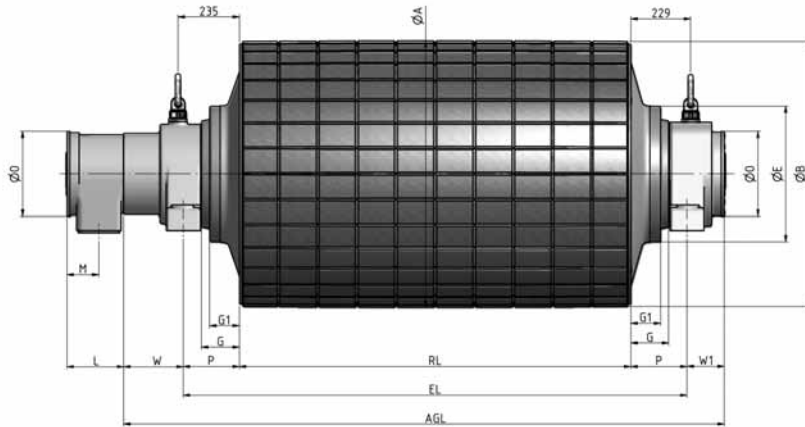
SPECIFICATIONS	1000HD
Different types and shapes of ceramic lagging	x
Mechanical backstop RL + 0	x
External brake shaft RL + 0	x
Allowable ambient temperatures -20°C until +40°C	Std.
Insulation class H with synthetic oil	Std.
Motor protection and Control by 3 bimetallic thermal protectors connected in series, 2 temperature resistors PT100 and 3 PTC-resistors connected in series	Std.
Dust Explosion proof Motorized Pulleys – ATEX95 – Zone 22 – for applications handling of dusty grain etc. according to European Directive 2014/34/EU	x
Thermal winding protection	Std.
IP66/67 cast iron terminal box	Std.
Degree of protection IP66	Std.
Triphase single voltage (3x400V, 415V, 525V & 690V at 50Hz & 460V, 575V 60Hz) with tolerances +/-10% (DIN IEC 38)	Std.
Other voltages on request and after checking the technical feasibility	x
CSA approved motors	x

Std. = standard

x = available as option

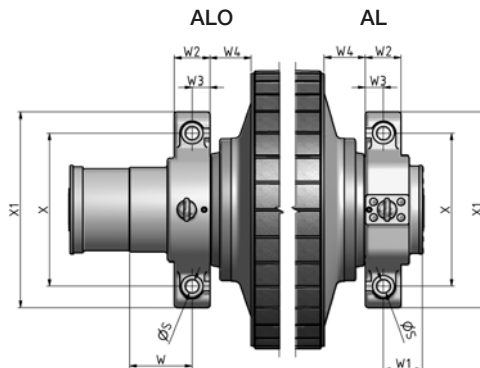
# MOTORIZED PULLEY 1000H & 1000HD

Ø 1020 mm

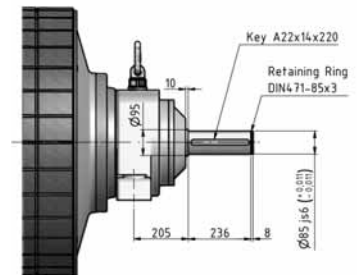


Motorized Pulley Dimension

A mm	B mm	D mm	E mm	G mm	G1 mm	L mm	M mm	O mm	P mm	W mm	W1 mm	W4 mm
1020	1014	203	520	145	114	218	122	325	215	228	143	150



Standard External Brake Shaft Dimension



Bracket Dimension

Type	S mm	W2 mm	W3 mm	X mm	X1 mm	Z mm	Z1 mm
AL	50	130	65	560	717	215	412
ALO	50	130	65	560	717	215	412

# MOTORIZED PULLEY 1000H & 1000HD

## Ø 1020 mm - 50 Hz

Motor			Nominal belt speed at Full Load 50Hz m/sec	Torque Nm	Belt Pull N	Max. Radial Load T1+T2* kN	Min. RL	Type	Weight in kg for STANDARD width RL in mm										per 50mm up to 2500					
Power kW/HP	No. of Poles	Gear stages							1250	1300	1350	1400	1450	1500	1550	1600	1650	1700		1750	1800			
160.0/ 218.0	6	3	1.60	45540	89280	300	1450	1000 HD					4450	4520	4565	4630	4695	4760	4825	4890	65 kg			
	4		2.00 *	36310	71200		1400					4200	4270	4315	4380	4445	4510	4575	4640	4705				
			2.50	30360	59530																			
	6	2	3.00 *	25160	49330	300	1300	1000H		4005	4075	4120	4185	4250	4315	4380	4445	4510	4575	4640				
			3.60	21030	41240																			
			4.50 *	16770	32890	300	1250																	
			5.50	14020	27500																			
	4		6.50	11310	22170	220			3755	3825	3870	3935	4000	4065	4130	4195	4260	4325	4390	4455				
			7.80	9740	19110																			
			8.50	8870	17390																			
	9.50	7740	15180																					
200.0/ 272.0		3	2.00 */**	45390	89000	300	1450	1000 HD					4450	4520	4565	4630	4695	4760	4825	4890	65 kg			
			2.50**	37950	74410																			
			3.15	30600	60010																			
			3.60	26380	51720																			
			4.00	24000	47060																			
		2	4.50 *	20960	41110	300	1300	1000H																
			5.50	17530	34370																			
			6.50	14130	27720	220				4005	4075	4120	4185	4250	4315	4380	4445	4510	4575	4640				
			7.80	12180	23890																			
			8.50	11089	21740																			
	9.50	9670	18970																					
250.0/ 340.0		3	2.50**	47430	93010	300	1500	1000 HD					4700	4770	4815	4880	4945	5010	5075	65 kg				
			3.15**	38250	75010																			
			3,60	32970	64650																			
			4.00	30000	58830																			
		2	4.50 *	26200	51390	300	1350	1000H																
			5.50	21900	42950																			
			6.50	17650	34650	220				4255	4325	4370	4435	4500	4565	4630	4695	4760	4825					
			7.80	15230	29860																			
			8.50	13850	27170																			
			9.50	12000	23710																			

\* T1+T2 value is valid for shortest available RL – in case of any questions please contact Rulmeca sales.  
 \*\* Power and speeds marked with a star can be used with 100% load at clockwise direction of rotation only!  
 For anti-clockwise direction the motorized pulley has to be assembled in an opposite way.  
 Note: Please specify the outer dimension of your power supply cable.  
 Because of high torque the start-up of the motorized pulley has to be done with a soft starter or VFD.

We offer return, snub and idler pulleys with the dimensions to match our motors on request.