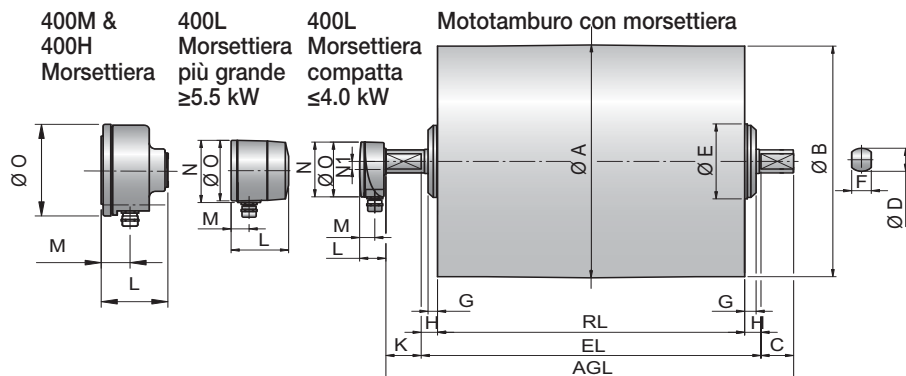
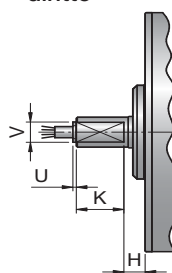


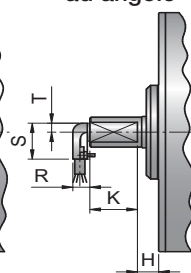
Mototamburi 400L, 400M & 400H, Ø 400 mm



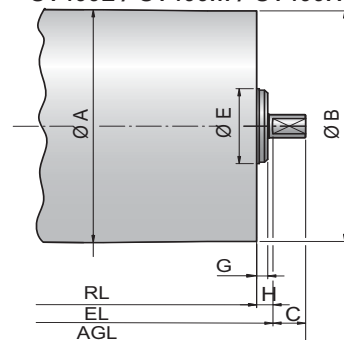
Cavo
diritto



Cavo
ad angolo

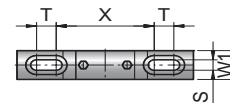
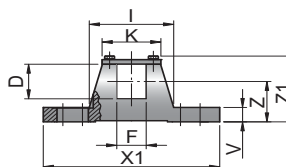


Tamburo folle
UT400L / UT400M / UT400H



| Tipo | Mototamburo o tamburo folle (UT) | | | | | | | | | Morsetteria compatta ≤4.0 kW | | | | Morsetteria più grande ≥5.5 kW | | | | Cavo diritto ≤4.0 kW | | Cavo ad angolo ≤4.0 kW | | |
|-----------------|----------------------------------|---------|---------|---------|---------|---------|---------|---------|---------|---------------------------------|---------|---------|----------|-----------------------------------|---------|---------|---------|----------------------------|---------|------------------------------|---------|---------|
| | A mm | B mm | C mm | D mm | E mm | F mm | G mm | H mm | K mm | L mm | M mm | N mm | N1 mm | L mm | M mm | N mm | O mm | U mm | V mm | R mm | S mm | T mm |
| 400L | 404 | 400 | 50 | 40 | 125 | 30 | 20 | 25 | 54 | 41 | 24 | 95 | 14 | 87 | 27 | 107 | 105 | 4 | 27 | 20 | 48 | 12 |
| 400M & 400H | 404 | 400 | 50 | 60 | 194 | 45 | 23 | 25 | 50 | - | - | - | - | 131 | 46 | - | 165 | - | - | - | - | - |
| UT400L | 404 | 400 | 50 | 40 | 125 | 30 | 17 | 25 | - | | | | | | | | | | | | | |
| UT400M & UT400H | 404 | 400 | 50 | 60 | 168 | 45 | 20 | 25 | - | | | | | | | | | | | | | |

Supporti
KL41-HD & KL60



| Mototamburi Tipo | Supporto tipo | Materiale | Dimensioni | | | | | | | | | | | | Peso kg |
|---------------------|------------------|-----------|------------|---------|---------|---------|---------|---------|---------|----------|---------|----------|---------|----------|------------|
| | | | D mm | F mm | I mm | K mm | S mm | T mm | V mm | W1 mm | X mm | X1 mm | Z mm | Z1 mm | |
| 400L | KL41-HD | Acciaio | 40 | 30 | 84 | 62 | 14 | 20 | 22 | 40 | 110 | 190 | 50 | 83 | 2.1 |
| 400M & 400H | KL60 | Acciaio | 60 | 45 | 132 | 90 | 18 | 30 | 25 | 50 | 150 | 270 | 70 | 115 | 4.8 |